

COMPACT DISC PLAYER

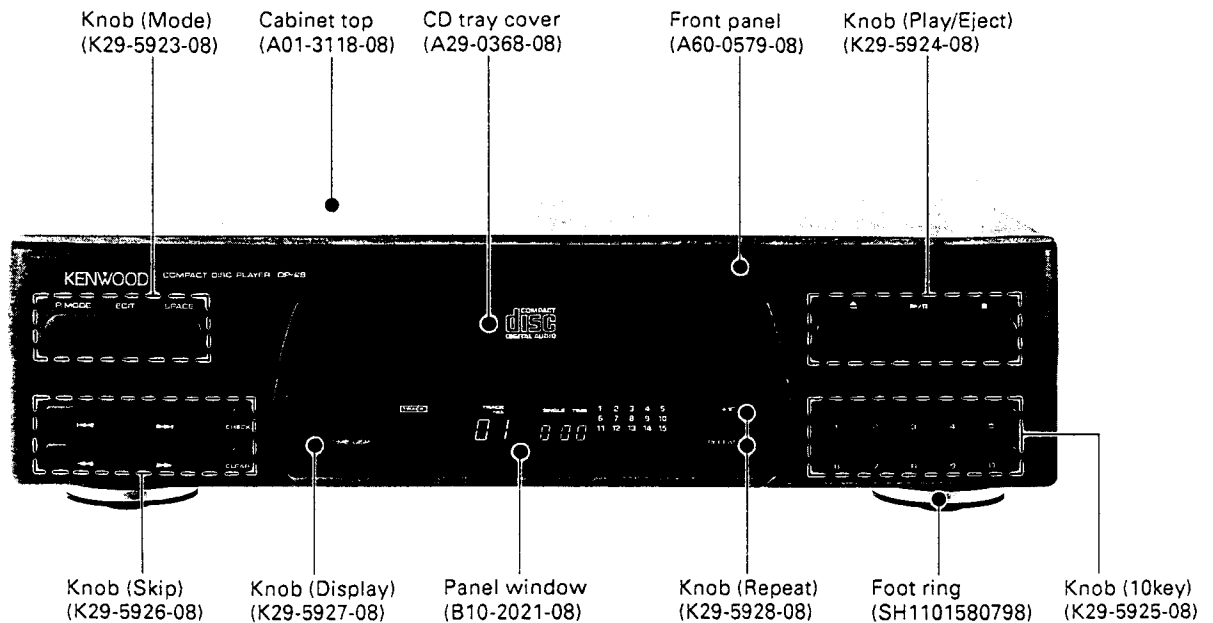
# DP-28

## SERVICE MANUAL

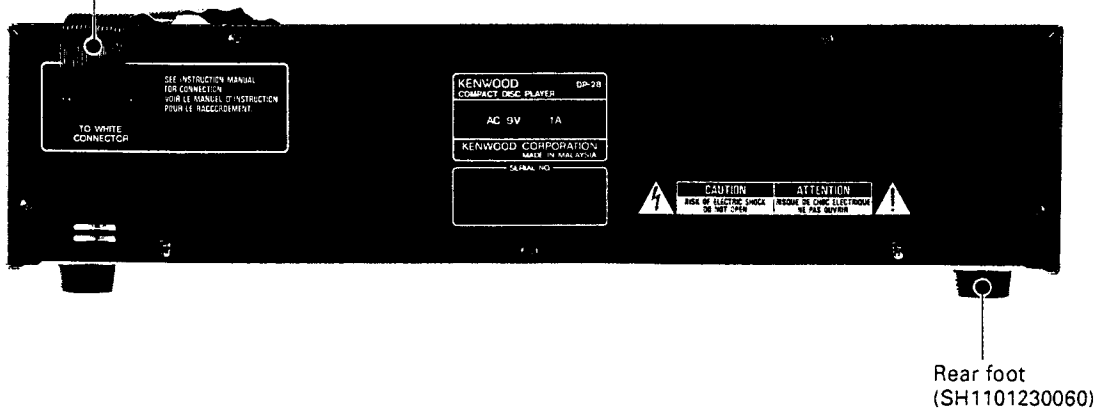
(M-28)

# KENWOOD

© 1993-11 PRINTED IN JAPAN  
B51-4832-00( O ) 2494



Connector ass'y (15pin)  
(E30-2673-05)



In compliance with Federal Regulations, following are reproductions of labels on, or inside the product relating to laser product safety.

KENWOOD-Corp. certifies this equipment conforms to DHHS Regulations No. 21 CFR 1040. 10, Chapter 1, Subchapter J.

**DANGER : Laser radiation when open and interlock defeated. AVOID DIRECT EXPOSURE TO BEAM.**

### RTV servis Horvat

Kešinci, 31402 Semeljci

031-856-139

031-856-637

098-788-319

[rtv-servis-horvat@os.tel.hr](mailto:rtv-servis-horvat@os.tel.hr)

Croatia

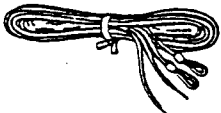
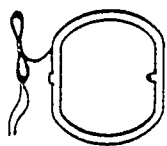
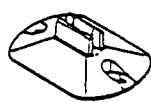
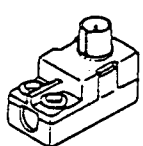

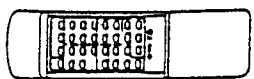
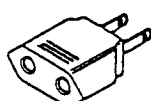
# DP-28

## CONTENTS/ACCESSORIES

### CONTENTS

ACCESSORIES .....	2	MECHANISM OPERATION DESCRIPTION .....	12
CONTROL .....	3	ADJUSTMENT .....	14
REMOTE CONTROL .....	4	PC BOARD (COMPONENT SIDE VIEW) .....	17
DISASSEMBLY FOR REPAIR .....	5	SCHEMATIC DIAGRAM .....	19
BLOCK DIAGRAM .....	7	EXPLODED VIEW (MECHANISM) .....	23
CIRCUIT DESCRIPTION		EXPLODED VIEW (UNIT) .....	24
1. Test Mode .....	8	PARTS LIST .....	25
2. Microprocessor : IX2248AF (IC4) .....	10	SPECIFICATIONS .....	BACK COVER

### ACCESSORIES

<ul style="list-style-type: none"> <li>• FM indoor antenna ..... 1 (T90-0175-05)</li> </ul> 	<ul style="list-style-type: none"> <li>• AM (MW, LW) loop antenna ... 1 (T90-0195-05)</li> </ul> 	<ul style="list-style-type: none"> <li>• Loop antenna stand ..... 1 (J19-3636-05)</li> </ul> 	<ul style="list-style-type: none"> <li>• Antenna adaptor (75Ω/300Ω) ... 1 (T90-0185-05)</li> </ul> 
<ul style="list-style-type: none"> <li>• Batteries (R6/AA) ..... 2 (-)</li> </ul> 	<ul style="list-style-type: none"> <li>• Remote control unit ..... 1 (A70-0956-05) : RC-28</li> </ul> 	<ul style="list-style-type: none"> <li>• AC plug adaptor (M type only) ..... 1 (E03-0115-05)</li> </ul> 	

Battery cover (A09-0146-08)

(Except for some areas)  
For the unit with a European AC plug in areas other than Europe.

All accessories are packed with RX-28.

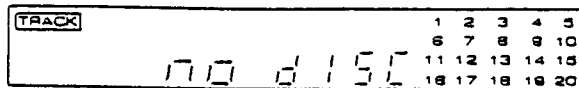
System name	Cassette receiver	CD player	Speaker	DP-28 instruction manual
M-28	RX-28	DP-28	LS-28	(B60-1539-08) E, F, G, D, I, S : E (B60-1540-08) English : X, T (B60-1541-08) Eng. Spa. Chi. : M, I

Option	Graphic equalizer
	GE-28

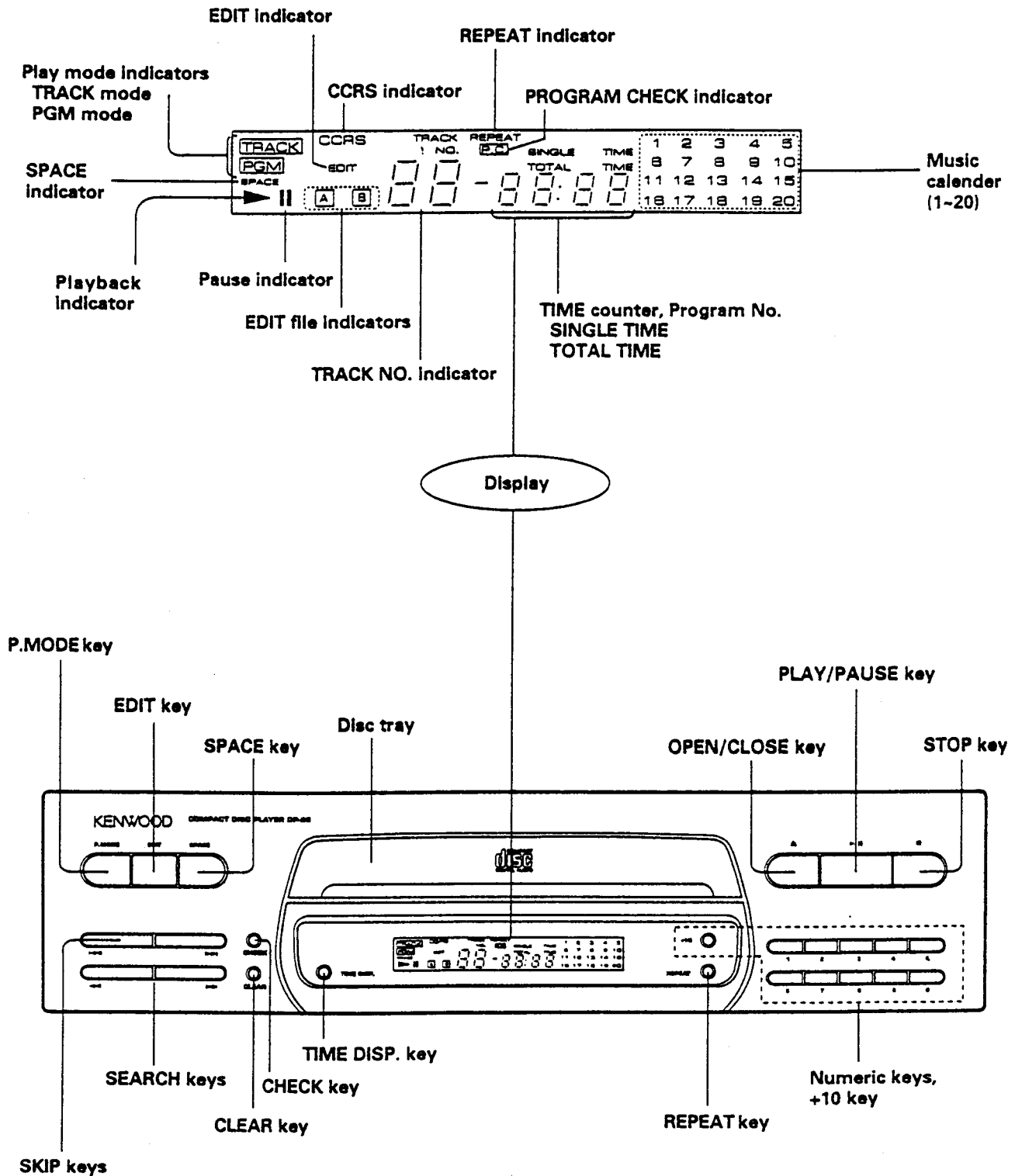
### Note related to transportation and movement

Before transporting or moving the CD PLAYER, carry out the following operations.

1. Turn the power ON but do not load a disc.
2. Wait a few seconds and verify that the display shown appears.
3. Turn the power OFF (RX-28).

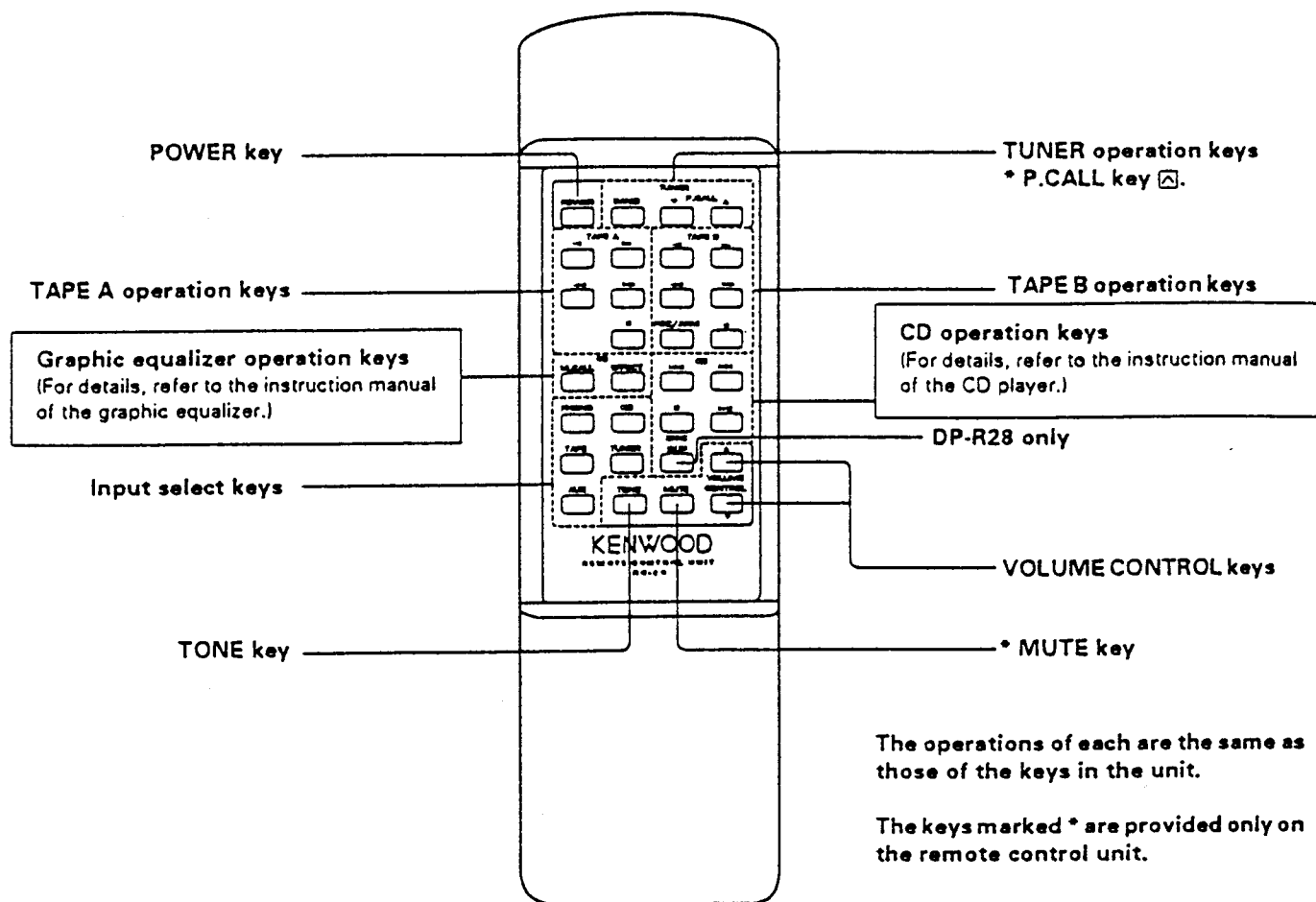


## CONTROL



# DP-28

## REMOTE CONTROL



The operations of each are the same as those of the keys in the unit.

The keys marked \* are provided only on the remote control unit.

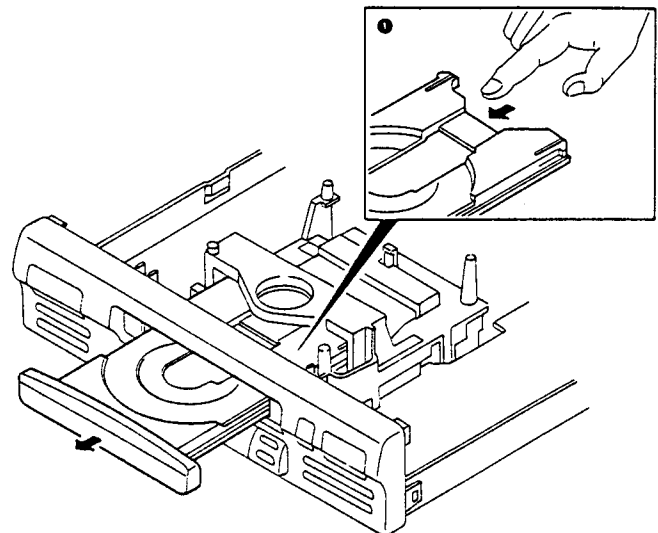
Remote control unit (A70-0956-05) : RC-28  
Battery cover (A09-0146-08)

Remote control unit is packed with RX-28

## DISASSEMBLY FOR REPAIR

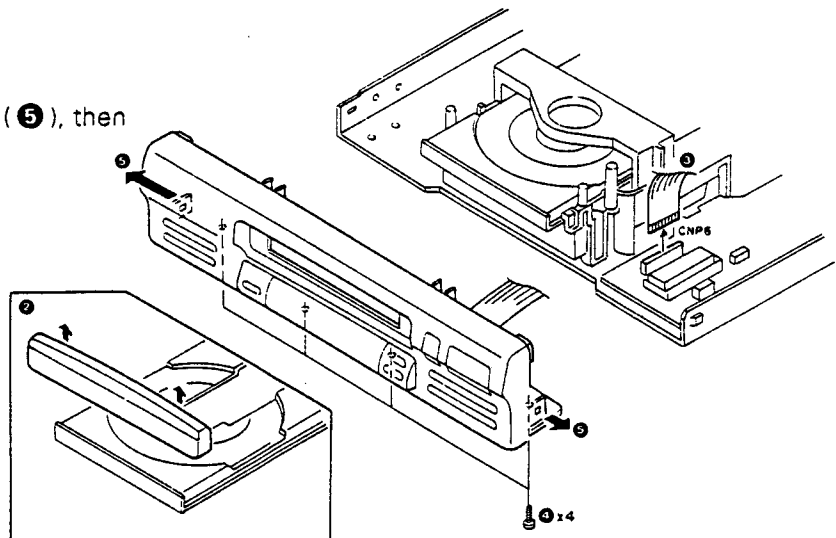
### 1. When not coming out the tray under normal operation

1. Press the tray slowly by hand (❶).



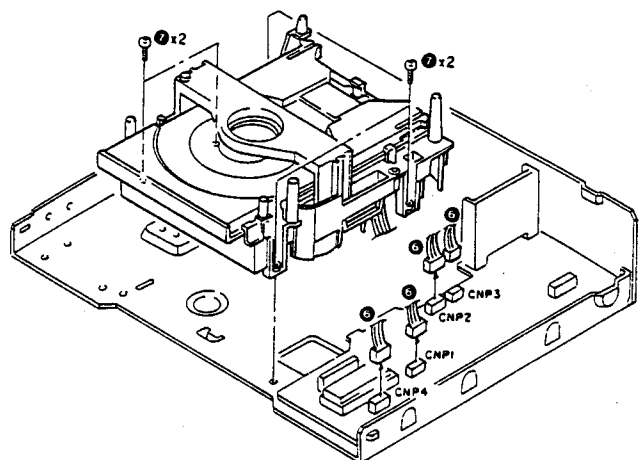
### 2. Removing the front panel

1. Remove the tray panel (❷).
2. Disconnect the flexible cord (❸).
3. Remove the 4 screws (❹).
4. Remove the panel-catches from chassis (❺), then remove the front panel.



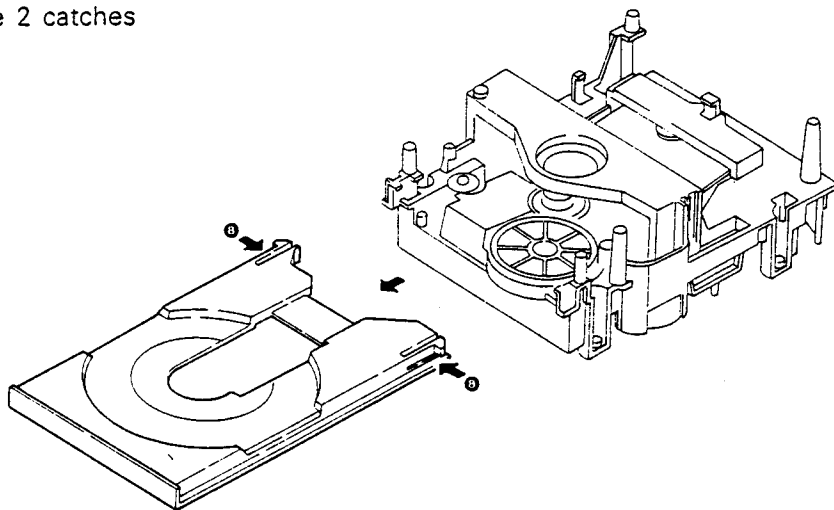
### 3. Removing the mechanism ass'y and that tray

1. Disconnect the 4 connectors (❻).
2. Remove the 4 screws (❼), then remove the mechanism ass'y.



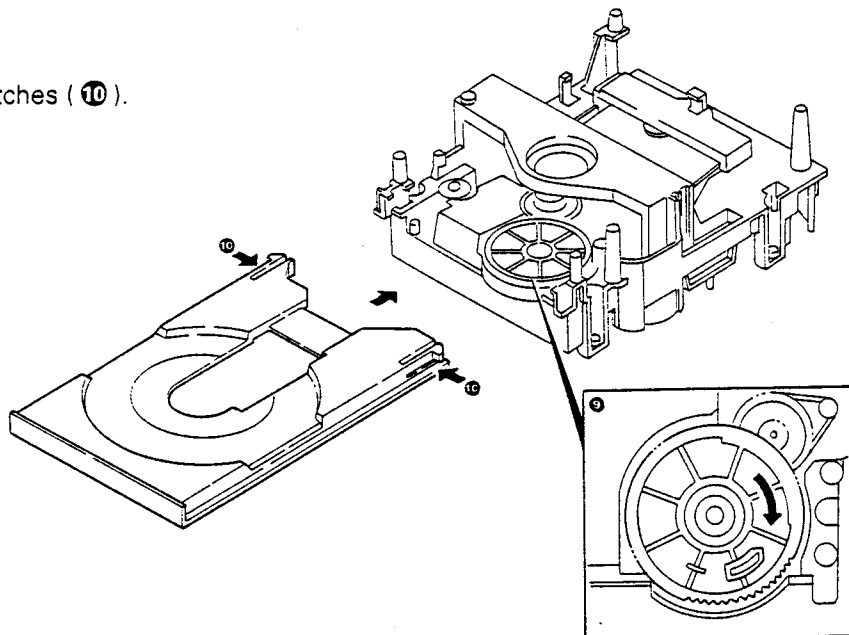
## DISASSEMBLY FOR REPAIR

3. Slide the tray front-wards, remove the 2 catches (8), then remove the tray.



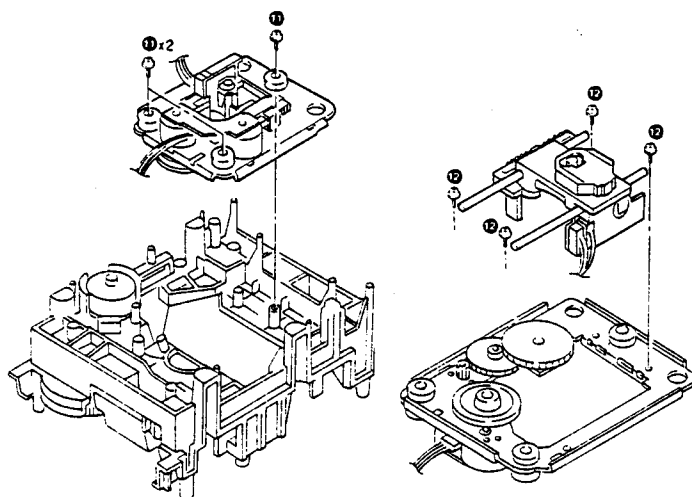
### 4. How to mount the tray

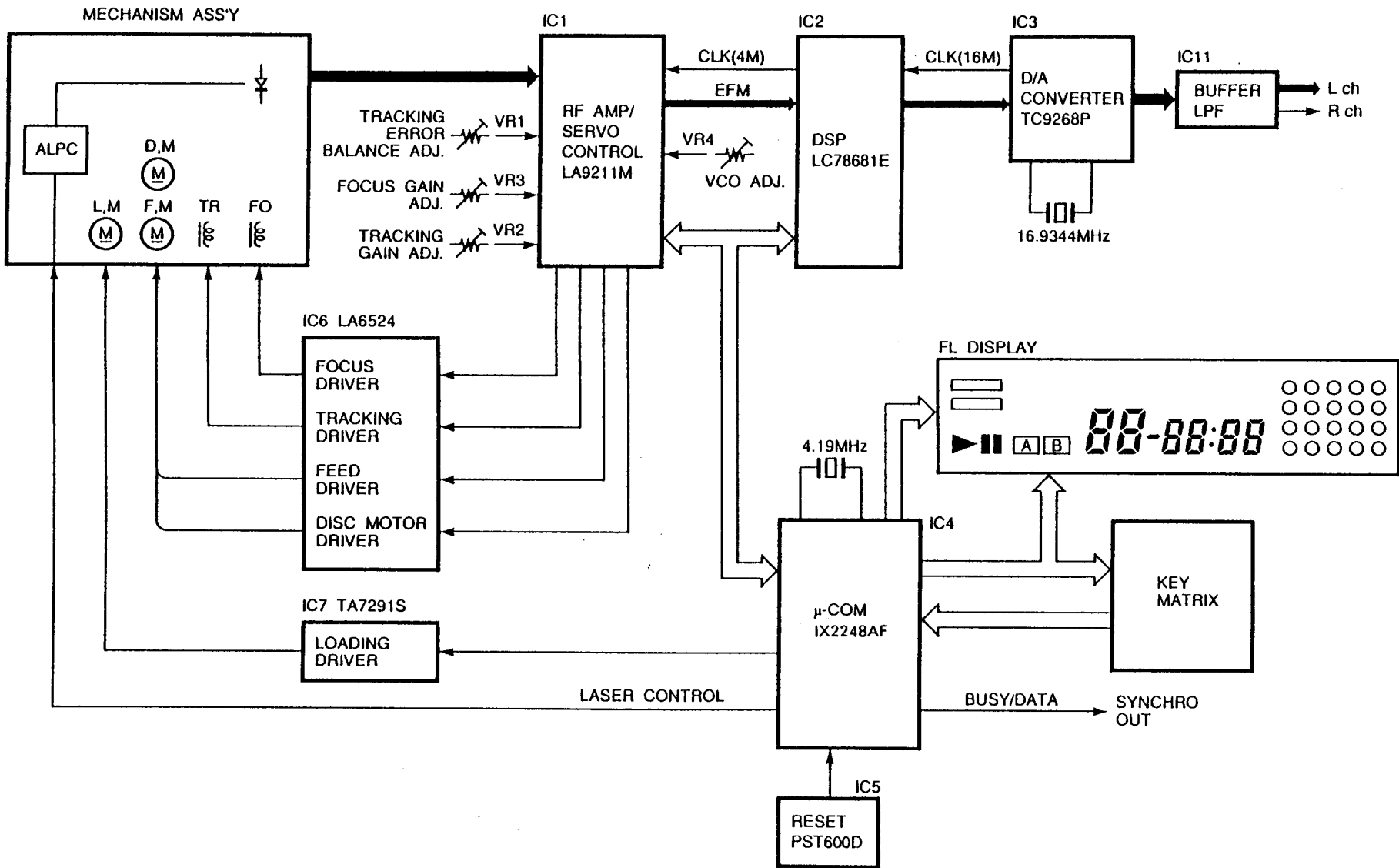
1. Turn the gear fully clockwise (9).
2. Insert the tray while pressing the 2 catches (10).



### 5. Removing the pickup

1. Remove the 3 screws (11), then remove the pickup mechanism ass'y.
2. Remove the 4 screws (12), then remove the pickup.





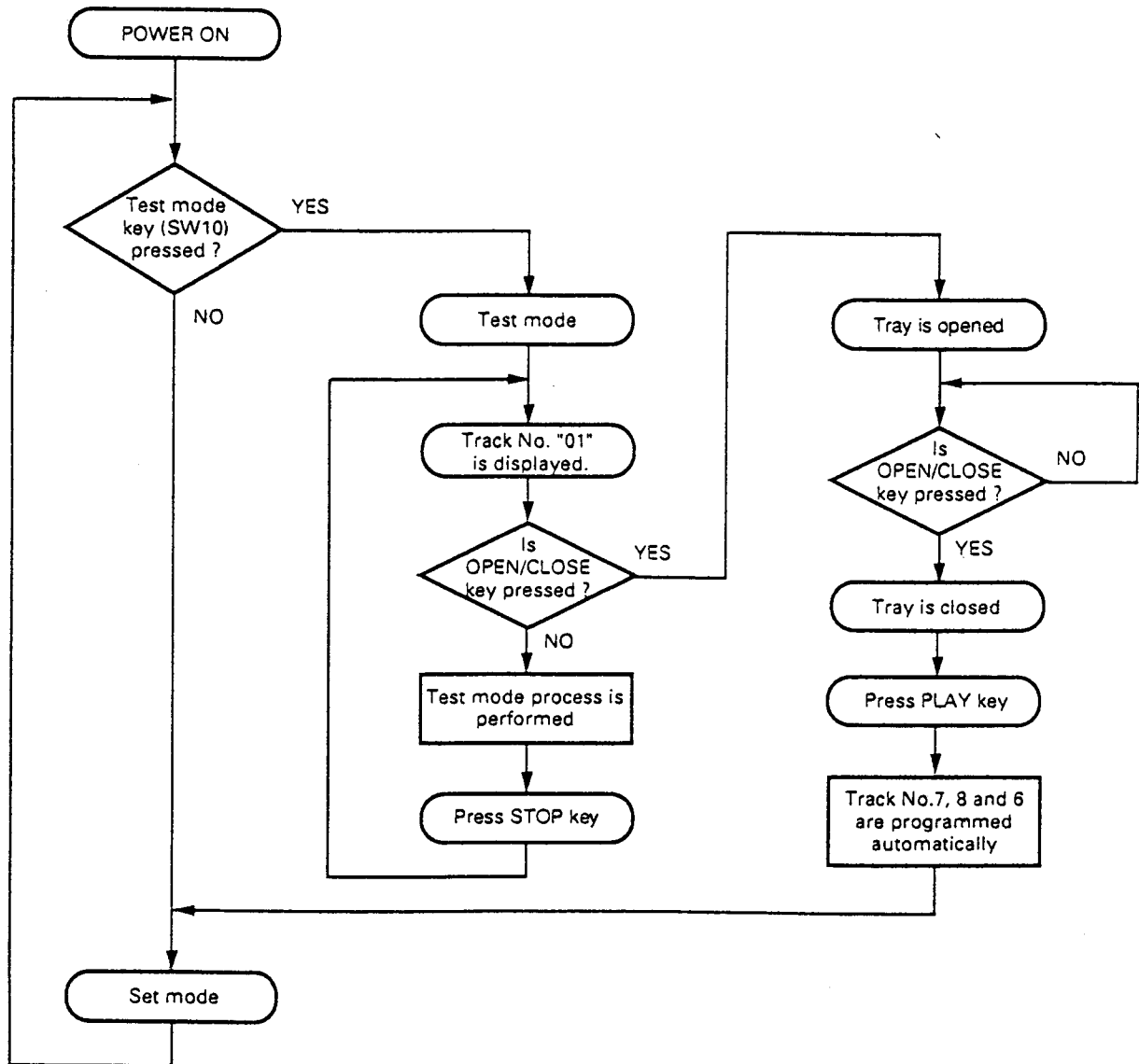
**BLOCK DIAGRAM**

## CIRCUIT DESCRIPTION

### 1. Test mode

#### 1-1. Setting the test mode

This microprocessor built in this unit can be put to TEST MODE (SW10).





## CIRCUIT DESCRIPTION

### 1-2. Key and functions valid in test mode

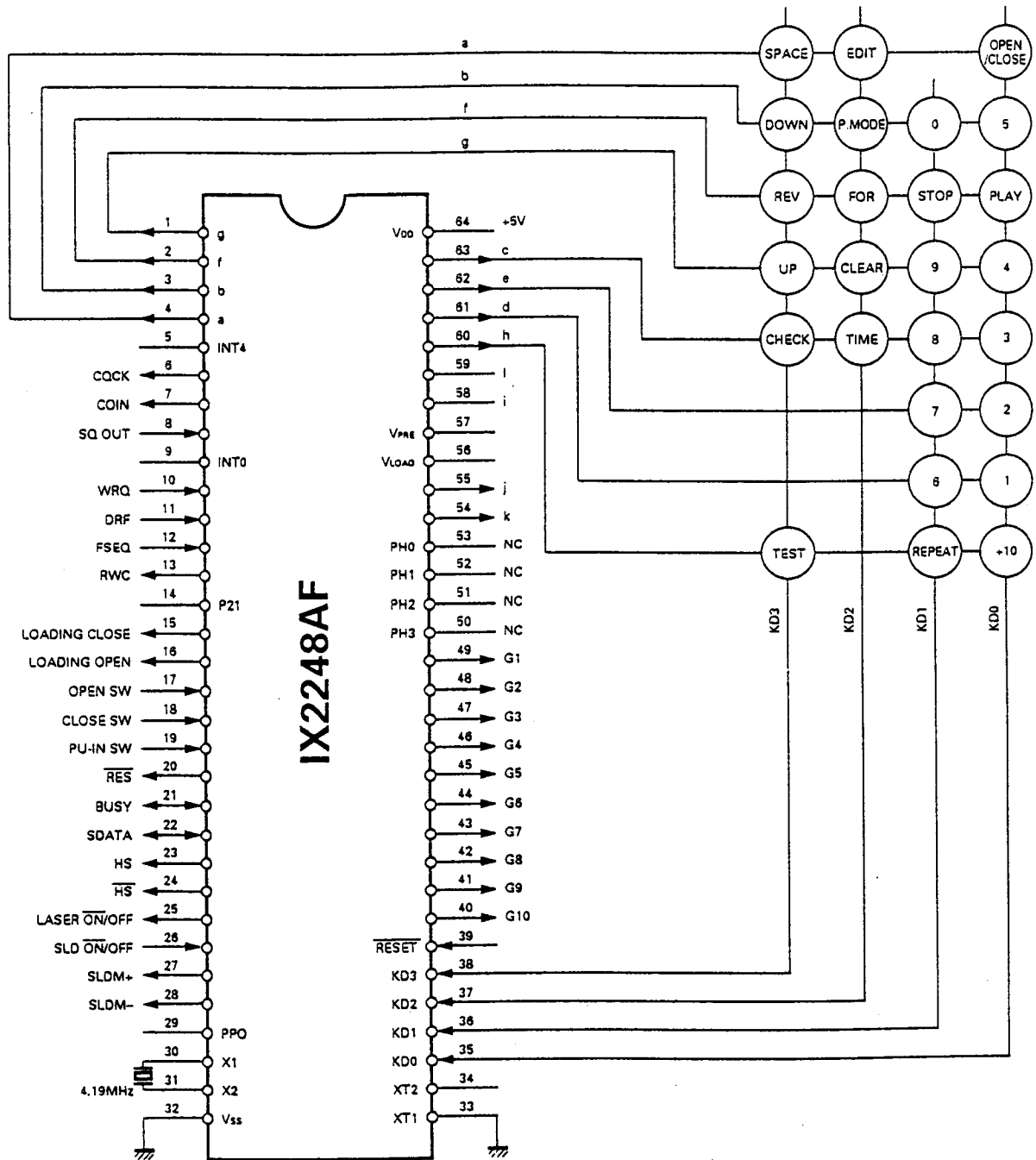
No.	Input key	Function	Track No. display																																				
1	PLAY	(1) Focusing servo ..... ON (2) Tracking servo ..... ON (3) Feed servo ..... ON	TRACK NO. 05 ↓ Displayed for a few seconds after completion (1), (2) and (3). ↓ Disc Track No. is displayed.																																				
2	CHECK or Number "0" key	(1) Focusing servo ..... ON (2) Tracking servo ..... OFF (3) Feed servo ..... OFF	TRACK NO. 03																																				
3	STOP	(1) Focusing servo ..... OFF (2) Tracking servo ..... OFF (3) Feed servo ..... OFF	TRACK NO. 01																																				
4	▶▶	In the STOP mode, moves the pickup slightly toward the outer position of disc. When feed servo is ON, sets the track gain to "H".	-																																				
5	◀◀	In the STOP mode, moves the pickup slightly toward the inner position of disc. When feed servo is ON, sets the track gain to "L".	-																																				
6	UP ▶▶	Turns all FL display lamps ON.	TRACK NO. 88																																				
7	DOWN ◀◀	Turns all FL display lamps OFF. "TRACK NO." is lighted.	TRACK NO. 88																																				
8	+10	Playback Track No.1 under High-speed mode (If not open tray, SPACE key function is available.)	-																																				
9	SPACE	Set playback mode to High-speed or Normal.	-																																				
10	P. MODE	Track No. 7,8, and 6 (High-speed) are programmed and playback from Track No.7. The test mode is canceled.	-																																				
11	OPEN/CLOSE	When the tray is opened then closed. Track No. 7, 8, and 6 are programmed and set is in STOP mode. The test mode is canceled.	TRACK NO. 00																																				
12	Numeric key (1 - 9)	Jumps tracks as shown below. <table border="1" style="margin-left: 20px;"> <tr> <td>Key</td> <td>1</td> <td>2</td> <td>3</td> <td>4</td> <td>5</td> </tr> <tr> <td>Number of tracks</td> <td>1</td> <td>4</td> <td>128</td> <td>512</td> <td>1000</td> </tr> <tr> <td>Direction</td> <td colspan="5" style="text-align: center;">Outer</td> </tr> <tr> <td>Key</td> <td>6</td> <td>7</td> <td>8</td> <td>9</td> <td></td> </tr> <tr> <td>Number of tracks</td> <td>1</td> <td>4</td> <td>128</td> <td>512</td> <td></td> </tr> <tr> <td>Direction</td> <td colspan="5" style="text-align: center;">Inner</td> </tr> </table>	Key	1	2	3	4	5	Number of tracks	1	4	128	512	1000	Direction	Outer					Key	6	7	8	9		Number of tracks	1	4	128	512		Direction	Inner					-
Key	1	2	3	4	5																																		
Number of tracks	1	4	128	512	1000																																		
Direction	Outer																																						
Key	6	7	8	9																																			
Number of tracks	1	4	128	512																																			
Direction	Inner																																						
13	REPEAT	(1) Tray ..... Opened (2) Laser ..... ON The REPEAT function is canceled when the tray is closed by pressing the tray. "REPEAT" figures is lighted.	TRACK NO. 02																																				

REPEAT mode : Press "REPEAT" key → Press "OPEN/CLOSE" key → Press "REPEAT" key...

## CIRCUIT DESCRIPTION

### 2. Microprocessor : IX2248AF (IC4)

#### 2-1. Terminal connection diagram

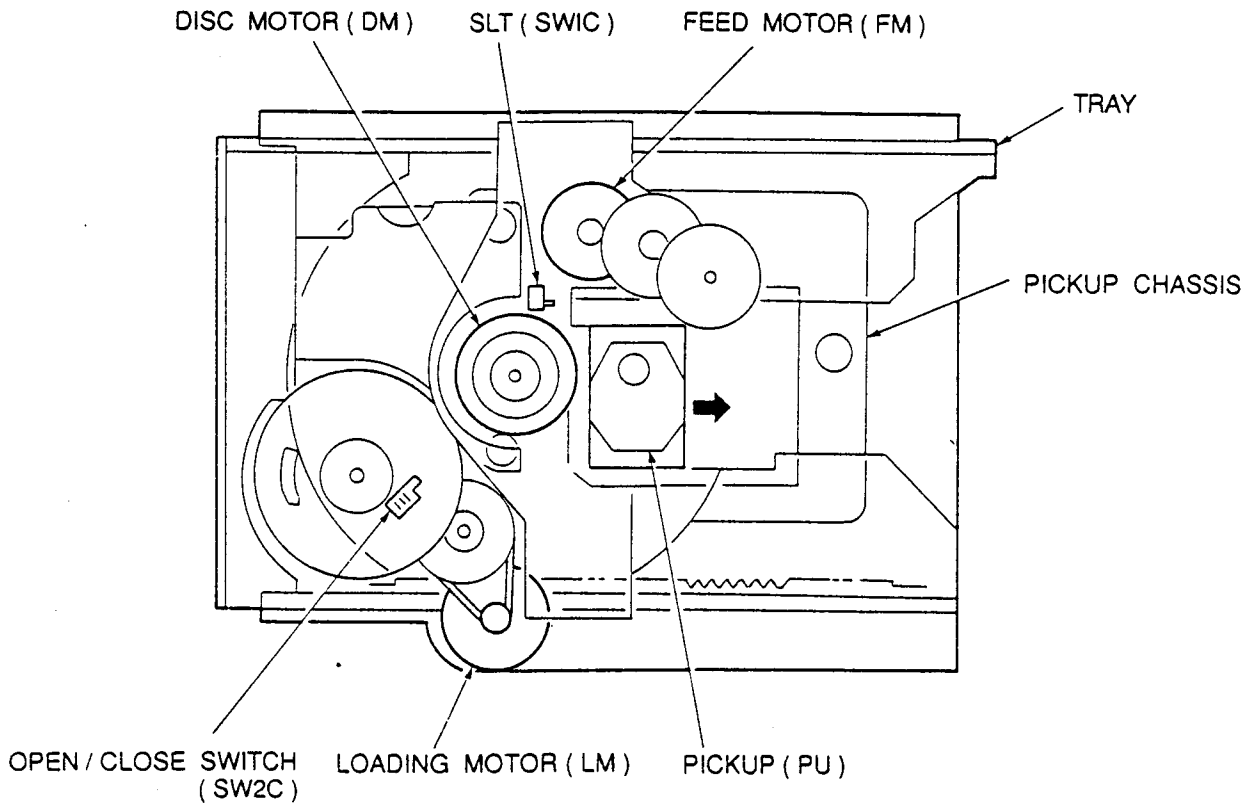


## CIRCUIT DESCRIPTION

## 2-2. Pin function

No.	Pin name	I/O	Function
1~4	g, f, b, a	O	Fluorescent indicator segment.
5	INT4	-	GND
6	COCK	O	DSP IC COCK terminal.
7	COIN	O	DSP IC COIN terminal.
8	SQ OUT	I	DSP IC SQ OUT terminal.
9	INT0	-	GND
10	WRQ	I	DSP IC WRQ terminal.
11	DRF	I	LA9211M DRF terminal.
12	FSEQ	I	DSP IC FSEQ terminal.
13	PWC	O	DSP IC RWC terminal.
14	P21	-	GND
15	LOADING CLOSE	O	Tray close signal output.
16	LOADING OPEN	O	Tray open signal output.
17	OPEN SW	I	Tray open detection signal input.
18	CLOSE SW	I	Tray close detection signal input.
19	PU-IN SW	I	Pick up limit signal input.
20	RES	O	DSP IC reset signal output.
21	BUSY	I/O	System control signal (BUSY).
22	SDATA	I/O	System control signal (DATA).
23	HS	O	High speed control.
24	HS	O	High speed control.
25	LASER ON/OFF	O	Laser ON/OFF control signal output.
26	SLD ON/OFF	I	Feed motor ON/OFF signal input.
27	SLD +	O	Feed motor control signal output.
28	SLD -	O	Feed motor control signal output.
29	PPO	-	No connected.
30	X1	I	Oscillator signal input.
31	X2	O	Oscillator signal output.
32	Vss	-	GND
33	XT1	-	GND
34	XT2	-	No connected.
35~38	KD0~KD3	I	Key input signal.
39	RESET	I	Reset signal input.
40~49	G10~G1	O	Fluorescent indicator tube grid signal output.
50~53		-	GND
54, 55	k, j	O	Fluorescent indicator segment.
56	VLOAD	-	FL pull down resistor power supply (-30V).
57	VPRE	-	FL driver circuit power supply (-6V).
58~63	i, l, h, d, e, c	O	Fluorescent indicator segment.
64	VDD	-	Power supply (+5V).

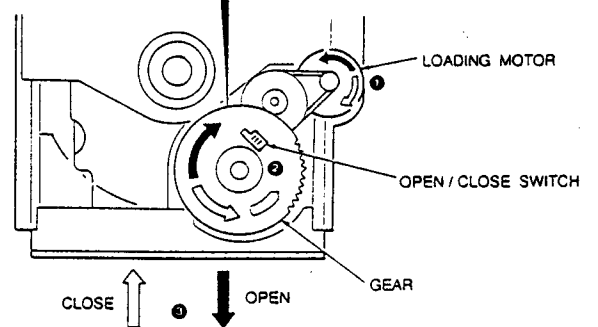
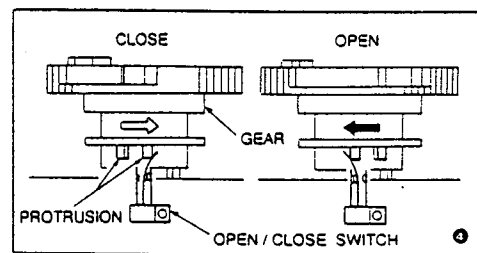
## MECHANISM OPERATION DESCRIPTION



### 1. Tray OPEN/CLOSE operation

By the rotation of the motor (❶), the gear (❷) is rotated and the tray starts OPEN/CLOSE operation (❸).

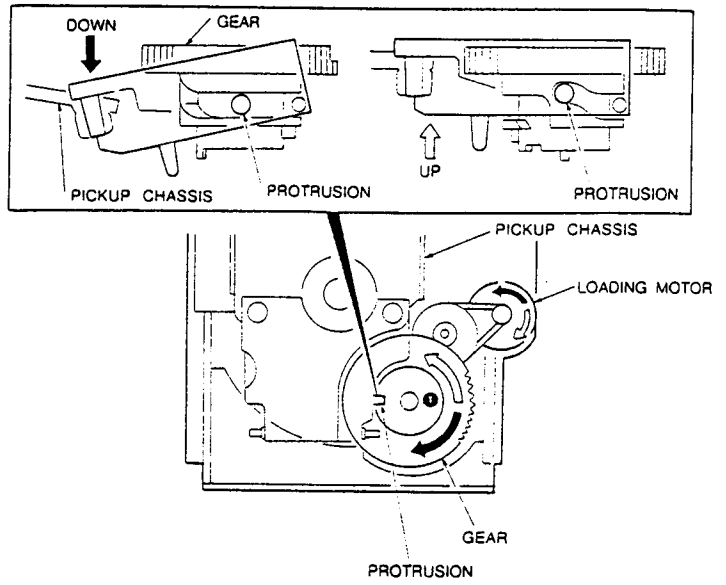
The OPEN/CLOSE operation stops when the protrusion of the gear comes in contact with the detection switch (❹).



## MECHANISM OPERATION DESCRIPTION

### 2. Pickup chassis UP/DOWN operation

Accompanied with the OPEN/CLOSE operation, the pickup chassis moves up and down along with the grooves in the gear (1).



## ADJUSTMENT

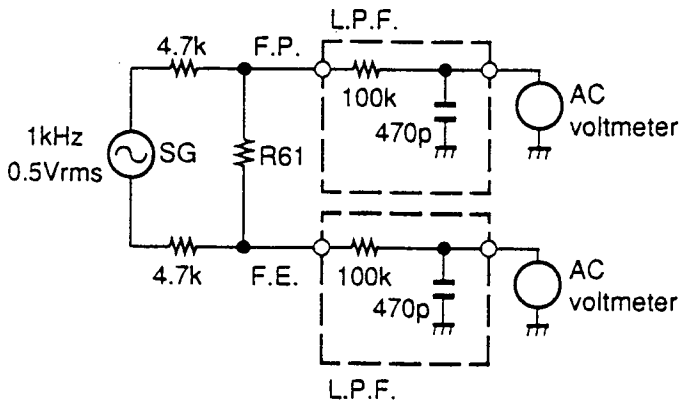
No.	ITEM	INPUT SETTING	OUTPUT SETTING	PLAYER SETTING	ALIGNMENT POINT	ALIGN FOR	FIG.
1	VCO	Test disc Type 4	Connect the frequency counter to "VCO" and GND.	Short-circuit pins TEST and turn the power on to enter the test mode. Press the STOP key. Then, confirm that the display is "01"	VR4	4.24MHz±15kHz	(a)
2	TRACKING ERROR BALANCE	Test disc Type 4	Connect the oscilloscope to "T.ER".	Press the OPEN/CLOSE key to open the tray. Reset to TEST mode. Then, press the CHECK key. Confirm that the display is "03".	VR1	Symmetry between upper and lower patterns. or DC=0±0.05V	(b)
3	FOCUS GAIN	Test disc Type 4 Apply signal of 1kHz, 0.5Vrms to R61(F.P. - F.E.).	Connect a LPF to R61 (F.P. - F.E.) to which connect two AC voltmeters.	Press the PLAY key Confirm that the display is "05".	VR3	Two VTVMs should read the same value.	(c)
4	TRACKING GAIN	Test disc Type 4 Apply signal of 1kHz, 0.5Vrms to R63(T.P. - T.E.).	Connect a LPF to R63 (T.P. - T.E.) to which connect two AC voltmeters.	Press the PLAY key Confirm that the display is "05".	VR2	Two VTVMs should read the same value.	(d)
5	H.F. LEVEL CONFIRMATION	Test disc Type 4	Connect the oscilloscope to "H.F.".	Press the PLAY key Confirm that the display is "05".	-	1.5Vp-p ~ 2.5Vp-p	(e)

(NOTE) Type 4 disc : SONY YEDS-18 TEST DISC or equivalent.

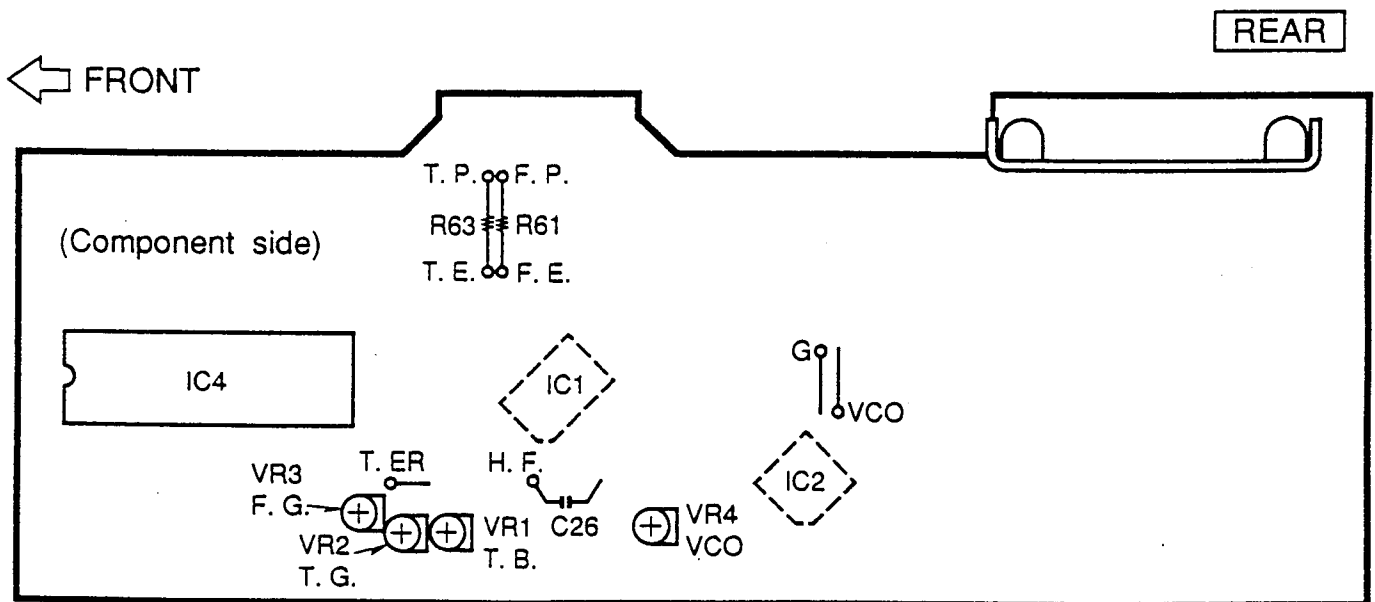
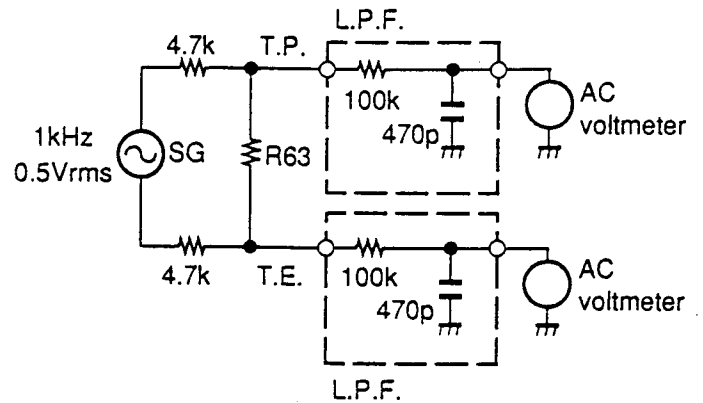
Adjustment procedures are in TEST MODE.

## ADJUSTMENT

(c) Focus gain

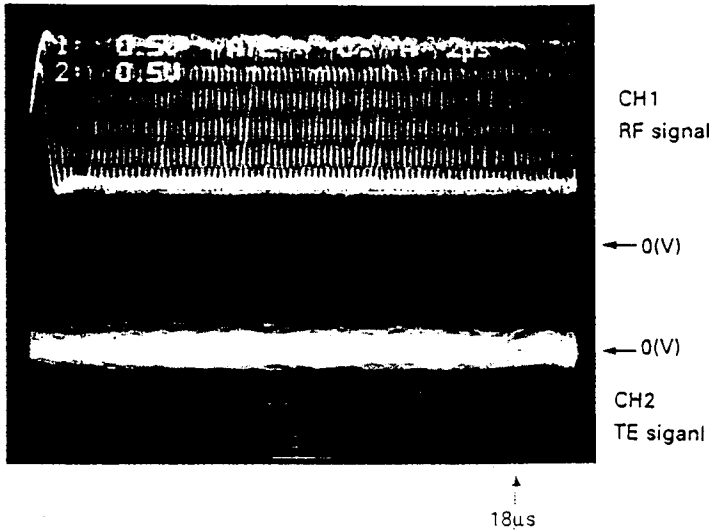


(d) Tracking gain



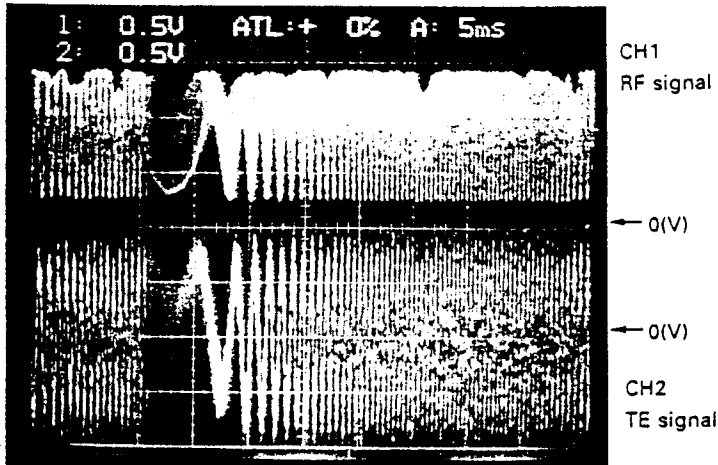
## ADJUSTMENT

RF level, TE waveform



- RF signal and E.Spot signal in test mode (PLAY).
- If the diffraction grating has been adjusted properly, the influence of triggering is observed on the E.Spot waveform of approx. 18 $\mu$ s after RF signal, in the form of a projection.

(b) Tracking error balance

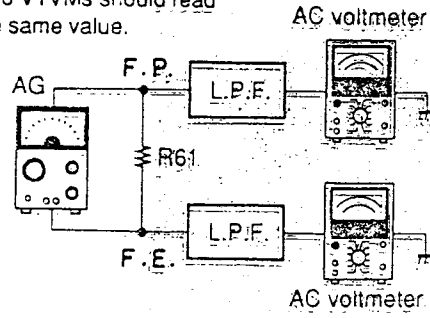


- RF signal and T.Error signal; in test mode (Focusing ON). (Disc type 4)
- Adjust T.Error so that the waveform is symmetrical above and below 0V. (VR 1)

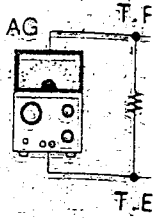


# PC BOARD (COMPONENT SIDE VIEW)

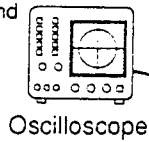
(c) Focus gain :  
Two VTVMs should read  
the same value.



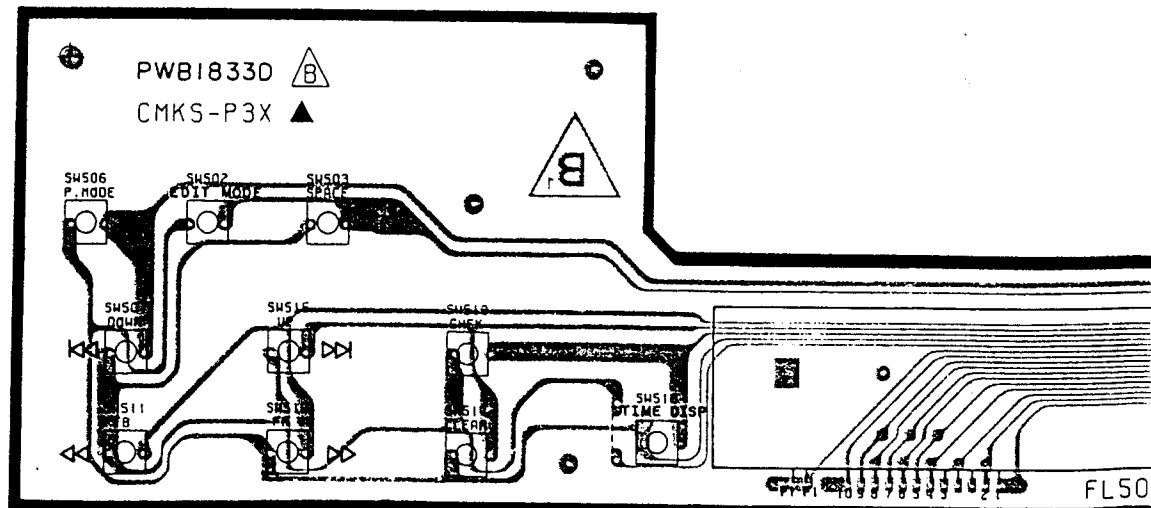
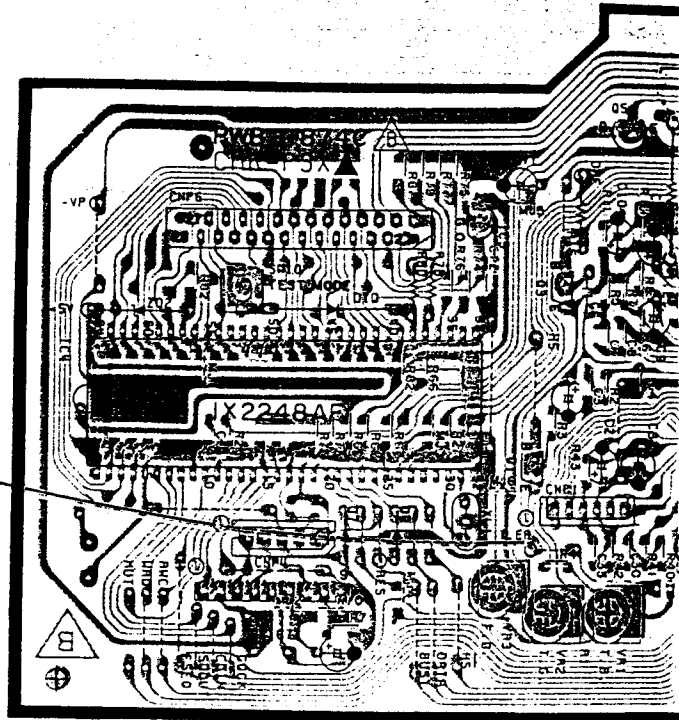
(d) Tracking gain :  
Two VTVMs should  
the same value.



(b) Tracking error balance :  
Symmetry between upper and  
lower patterns,  
or  
 $DC=0 \pm 0.05V$

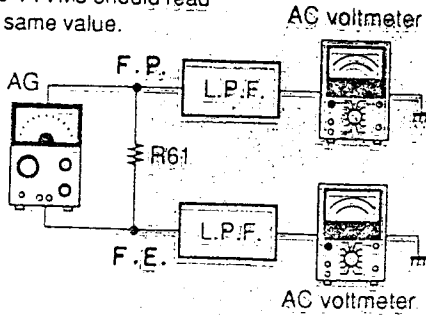


Oscilloscope

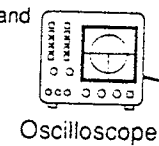
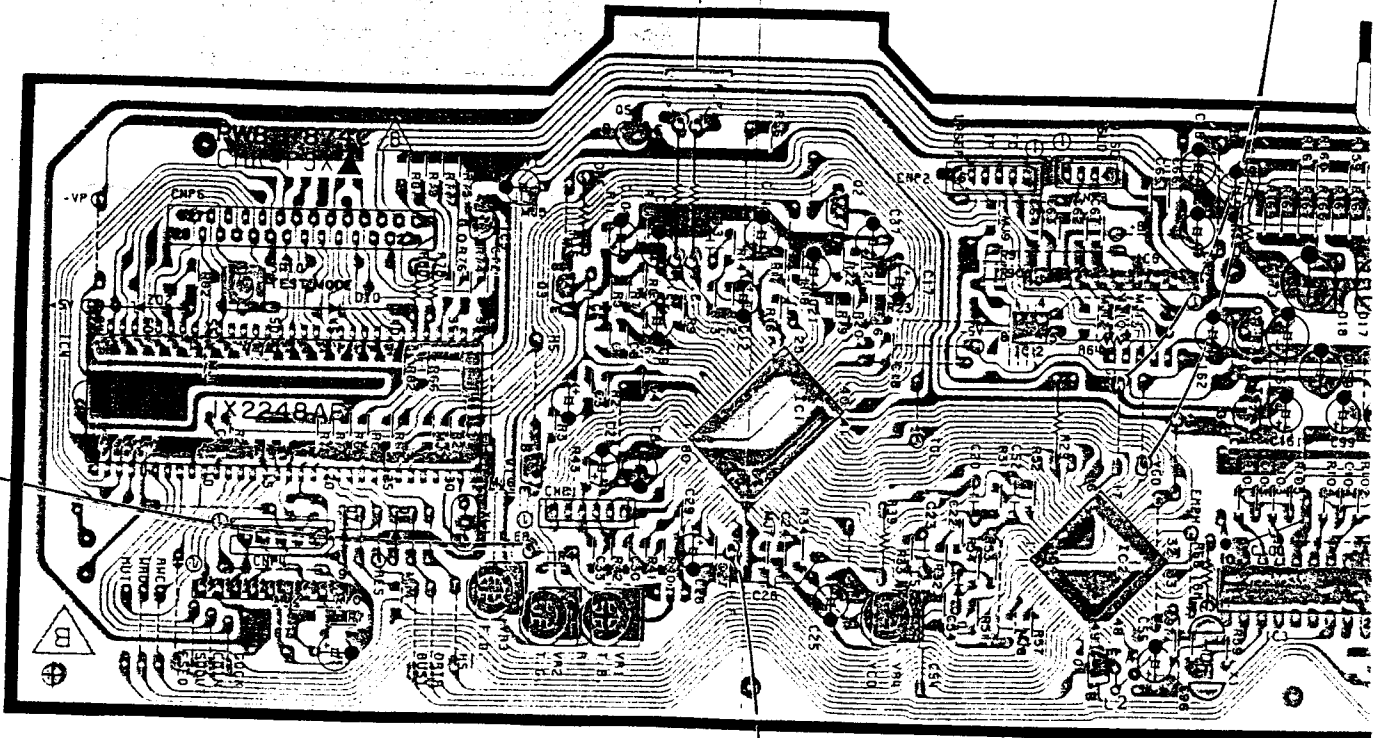
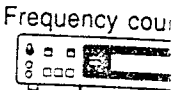
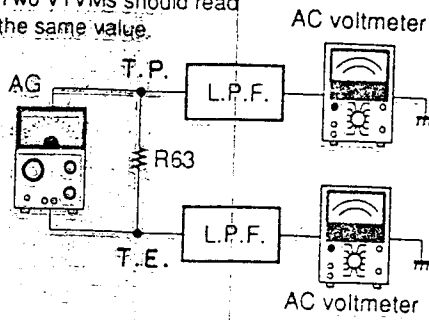


ONENT SIDE VIEW)

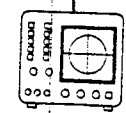
(c) Focus gain :  
Two VTVMs should read  
the same value.



(d) Tracking gain :  
Two VTVMs should read  
the same value.

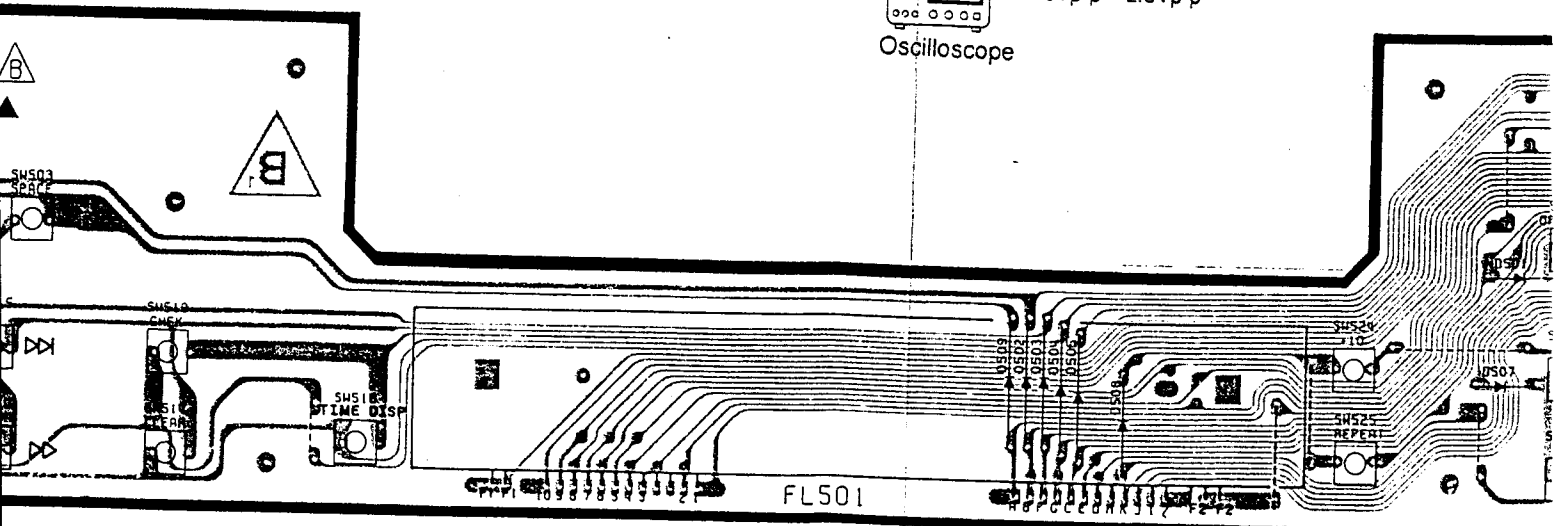


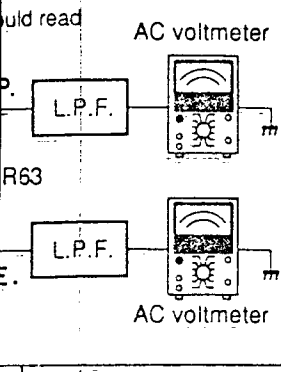
Oscilloscope



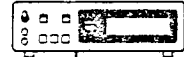
(e) H.F. Level confirmation :  
1.5Vp-p ~ 2.5Vp-p

Oscilloscope

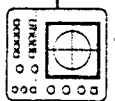
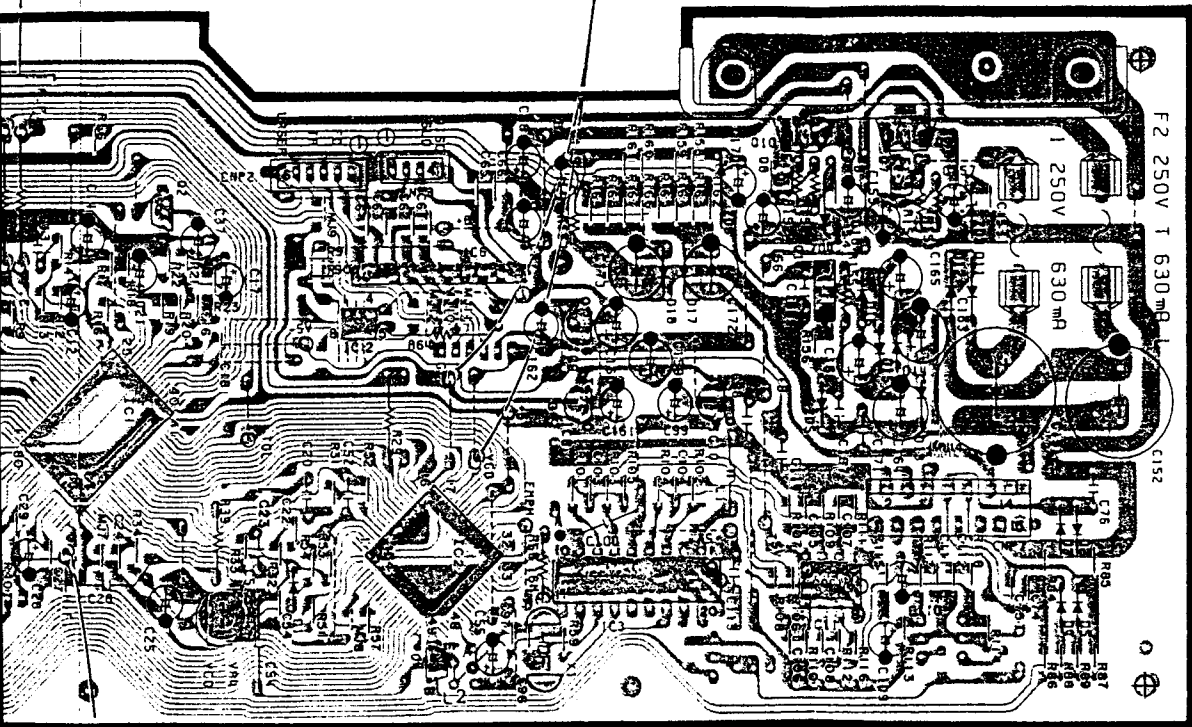




Frequency counter

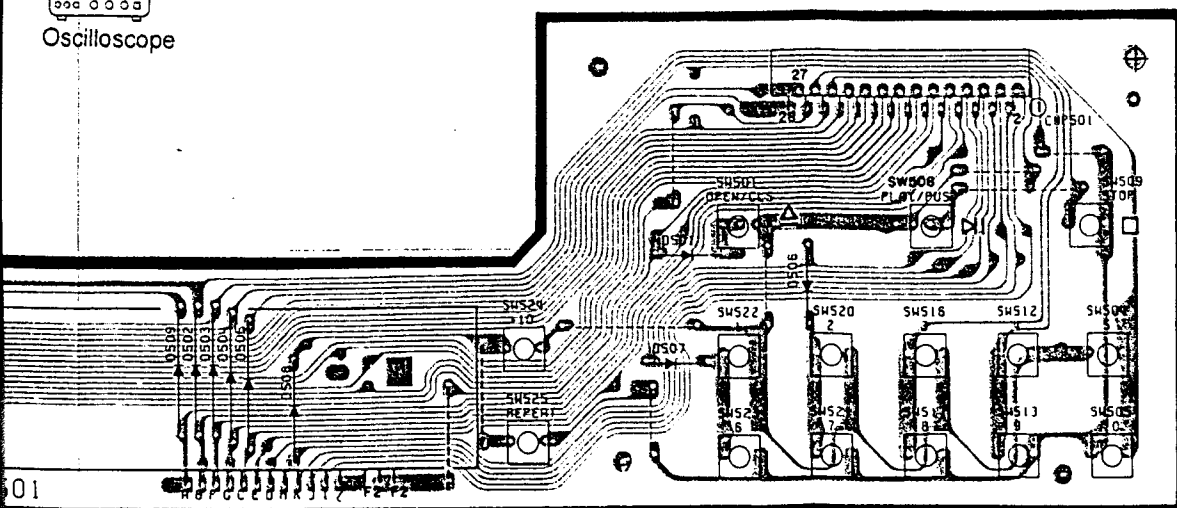


(a) VCO :  $4.24\text{MHz} \pm 15\text{kHz}$



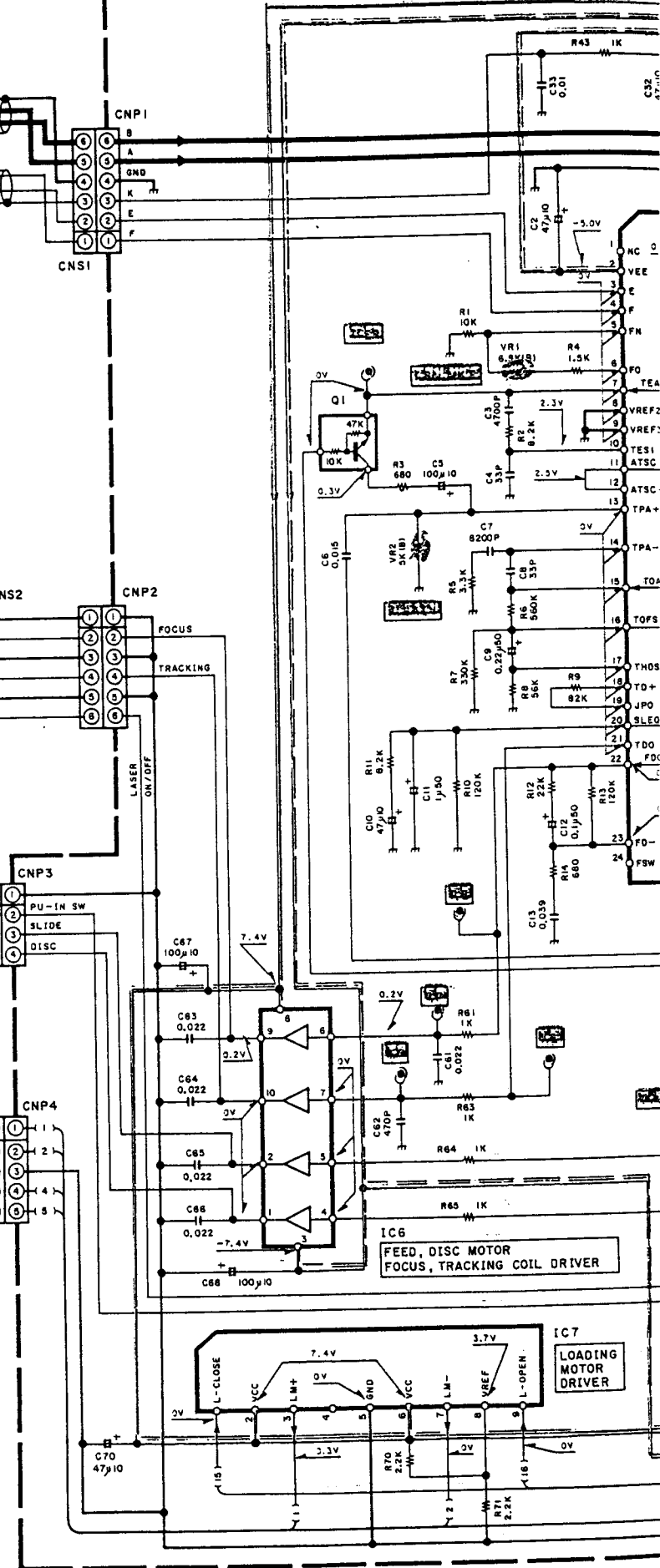
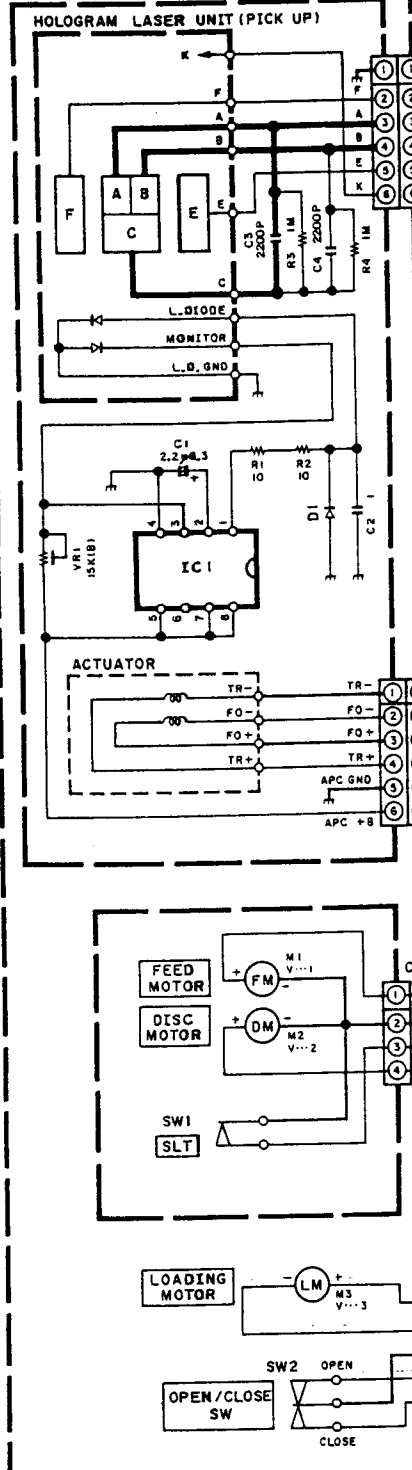
(e) H.F. Level confirmation :  
 $1.5\text{Vp-p} \sim 2.5\text{Vp-p}$

Oscilloscope



MECHANISM ASS'Y

MAIN UNIT



- |                  |                   |
|------------------|-------------------|
| IC1 : LA9211M    | Q1-4 : DTC114YS   |
| IC2 : LC78681E   | Q5 : 2SA1015GR    |
| IC3 : TC9268P    | Q7 : 2SC1740SR    |
| IC4 : IX2248AF   | Q8 : 2SA933SR     |
| IC5 : PST800D    | Q9 : 2SD2012      |
| IC6 : LA6524     | Q10 : 2SB1375     |
| IC7 : TA7291S    | Q11 : 2SB1237R3   |
| IC8 : TA78L005AP |                   |
| IC9 : AN79L05    | D1-5,7,9,10,13-18 |
| IC10 : AN78L05   | : 1SS133          |
| IC11 : NJM4560D  | D11,12 : RL104T   |
| IC12 : NJM4558M  | ZD2-4 : MTZ9.1A   |
|                  | ZD5 : MTZJ30B     |
|                  | ZD6 : MTZJ6.8B    |

2

3

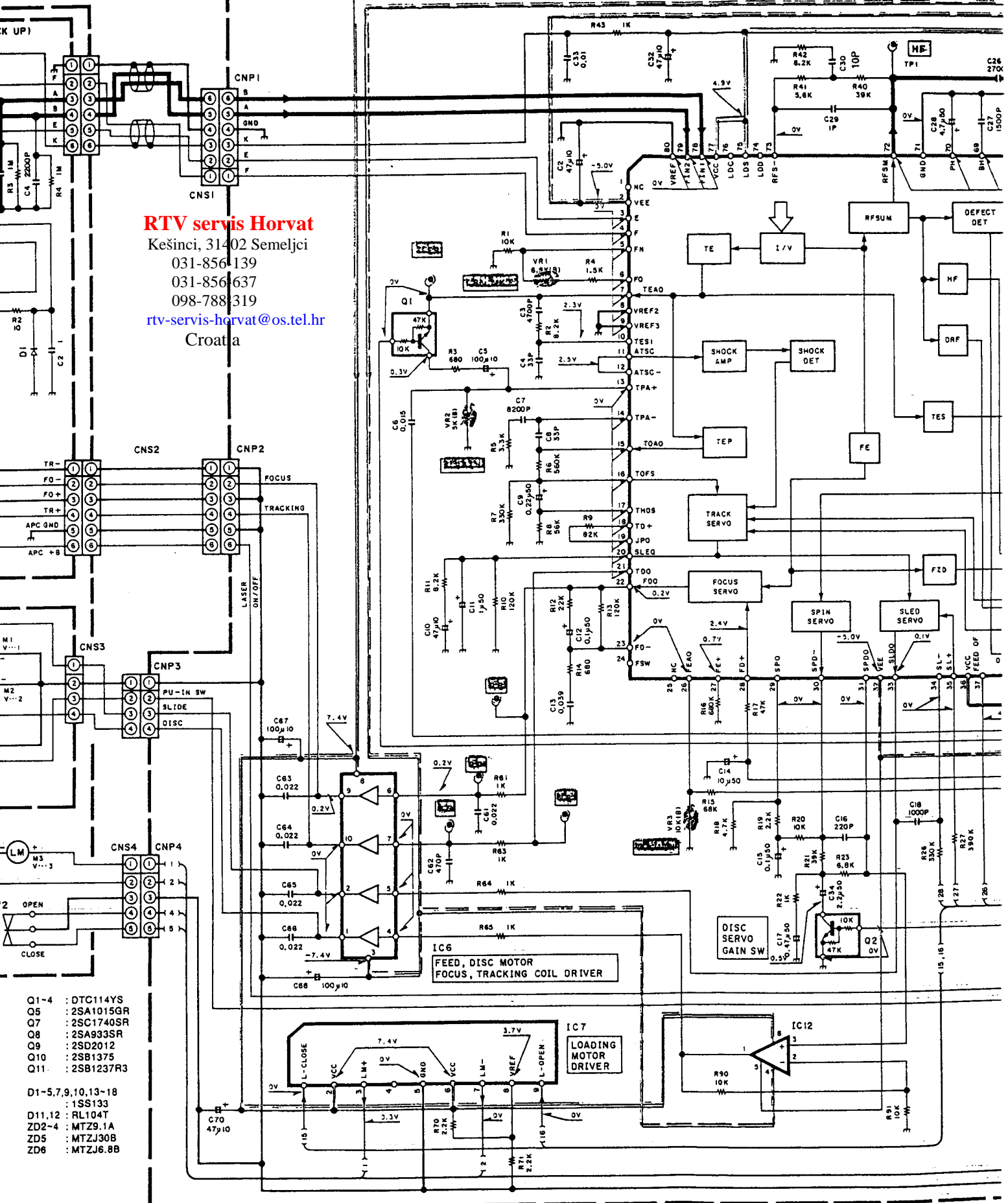
4

5

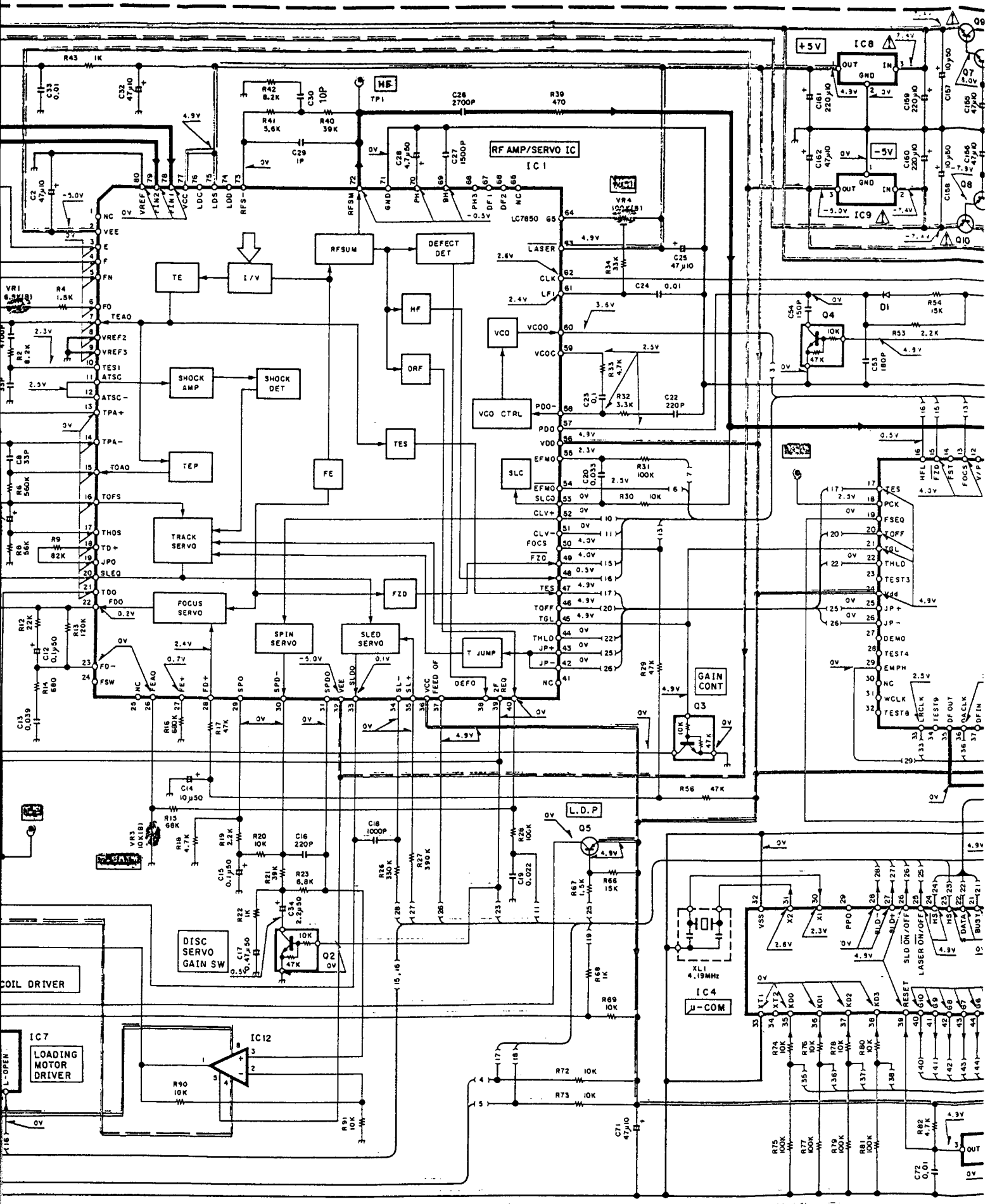
6

7

MAIN UNIT



**RTV servis Horvat**  
 Kešinci, 31402 Semeljci  
 031-856 139  
 031-856 637  
 098-788 319  
[rtv-servis-horvat@os.tel.hr](mailto:rtv-servis-horvat@os.tel.hr)  
 Croatia



COIL DRIVER

IC7  
LOADING MOTOR DRIVER

DISC SERVO GAIN SW

L.D.P.  
05

RF AMP/SERVO IC  
IC1

+5V  
IC8

-5V  
IC9

IC4  
u-COM

Q4

GAIN CONT  
Q3

Q10

Q2

Q5

Q6

Q7

Q8

Q9

Q11

Q12

Q13

Q14

Q15

Q16

Q17

Q18

Q19

Q20

Q21

Q22

Q23

Q24

Q25

Q26

Q27

Q28

Q29

Q30

Q31

Q32

Q33

Q34

Q35

Q36

Q37

Q38

Q39

Q40

Q41

Q42

Q43

Q44

Q45

Q46

Q47

Q48

Q49

Q50

Q51

Q52

Q53

Q54

Q55

Q56

Q57

Q58

Q59

Q60

Q61

Q62

Q63

Q64

Q65

Q66

Q67

Q68

Q69

Q70

Q71

Q72

Q73

Q74

Q75

Q76

Q77

Q78

Q79

Q80

Q81

Q82

Q83

Q84

Q85

Q86

Q87

Q88

Q89

Q90

Q91

Q92

Q93

Q94

Q95

Q96

Q97

Q98

Q99

Q100

Q101

Q102

Q103

Q104

Q105

Q106

Q107

Q108

Q109

Q110

Q111

Q112

Q113

Q114

Q115

Q116

Q117

Q118

Q119

Q120

Q121

Q122

Q123

Q124

Q125

Q126

Q127

Q128

Q129

Q130

Q131

Q132

Q133

Q134

Q135

Q136

Q137

Q138

Q139

Q140

Q141

Q142

Q143

Q144

Q145

Q146

Q147

Q148

Q149

Q150

Q151

Q152

Q153

Q154

Q155

Q156

Q157

Q158

Q159

Q160

Q161

Q162

Q163

Q164

Q165

Q166

Q167

Q168

Q169

Q170

Q171

Q172

Q173

Q174

Q175

Q176

Q177

Q178

Q179

Q180

Q181

Q182

Q183

Q184

Q185

Q186

Q187

Q188

Q189

Q190

Q191

Q192

Q193

Q194

Q195

Q196

Q197

Q198

Q199

Q200

Q201

Q202

Q203

Q204

Q205

Q206

Q207

Q208

Q209

Q210

Q211

Q212

Q213

Q214

Q215

Q216

Q217

Q218

Q219

Q220

Q221

Q222

Q223

Q224

Q225

Q226

Q227

Q228

Q229

Q230

Q231

Q232

Q233

Q234

Q235

Q236

Q237

Q238

Q239

Q240

Q241

Q242

Q243

Q244

Q245

Q246

Q247

Q248

Q249

Q250

Q251

Q252

Q253

Q254

Q255

Q256

Q257

Q258

Q259

Q260

Q261

Q262

Q263

Q264

Q265

Q266

Q267

Q268

Q269

Q270

Q271

Q272

Q273

Q274

Q275

Q276

Q277

Q278

Q279

Q280

Q281

Q282

Q283

Q284

Q285

Q286

Q287

Q288

Q289

Q290

Q291

Q292

Q293

Q294

Q295

Q296

Q297

Q298

Q299

Q300

Q301

Q302

Q303

Q304

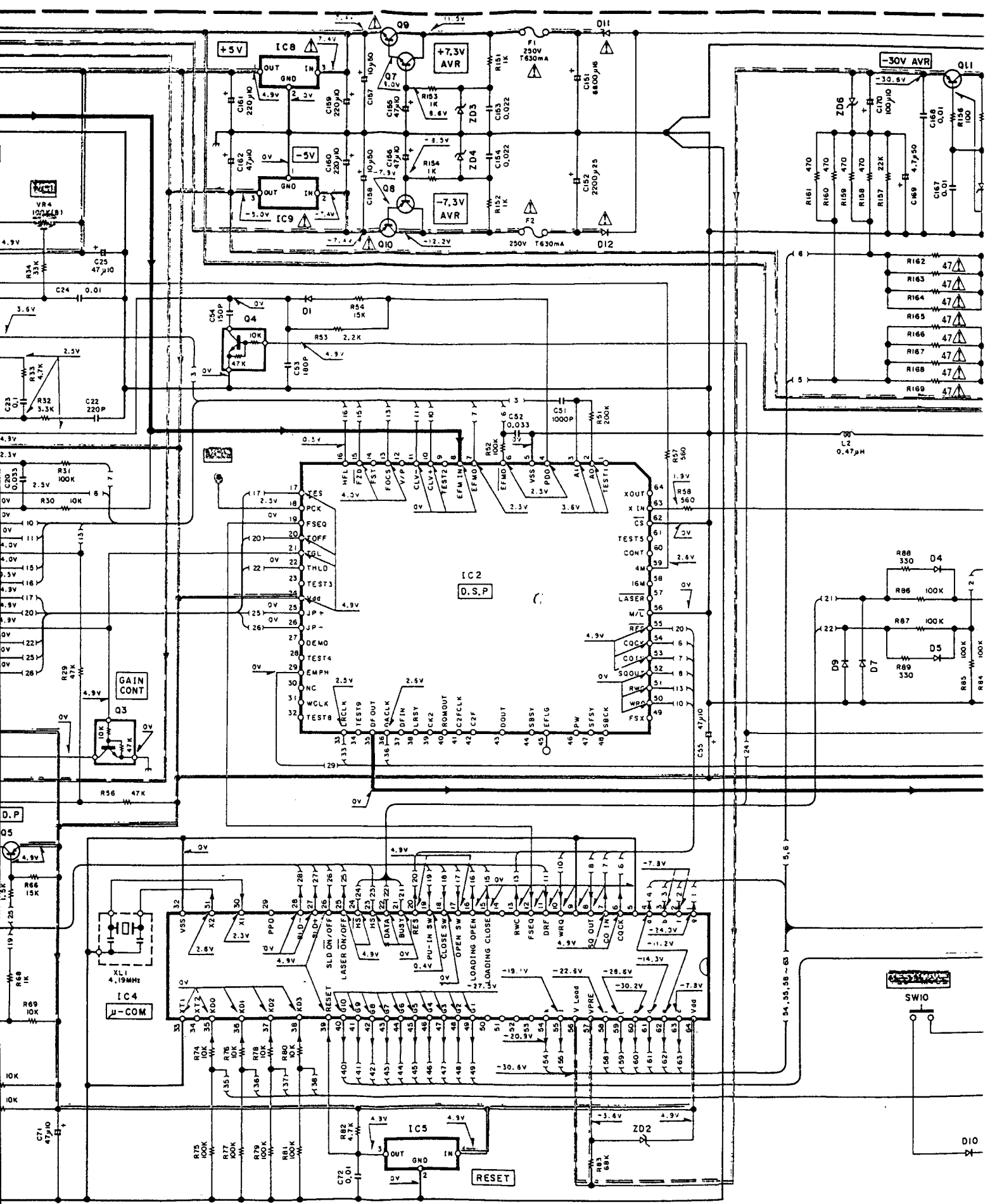
Q305

Q306

Q307

Q308

Q309



VR4  
107K (B)

R34  
33K

C24  
0.01

R32  
3.5K

C22  
220P

R31  
100K

R30  
10K

R29  
47K

R56  
47K

R86  
15K

R69  
10K

R75  
10K

R76  
100K

R77  
100K

R78  
100K

R79  
100K

R80  
10K

R81  
100K

R82  
4.7K

C72  
0.01

C71  
47µF

IC8

IC9

IC10

IC11

IC2

IC4

IC5

Q3

Q4

Q5

Q7

Q8

Q9

Q10

Q11

Q12

Q13

Q14

Q15

Q16

Q17

R151

R152

R153

R154

R155

R156

R157

R158

R159

R160

R161

R162

R163

R164

R165

R166

R167

R168

R169

R170

R171

R172

R173

R174

R175

R176

R177

R178

R179

R180

R181

R182

R183

R184

R185

R186

R187

R188

R189

R190

R191

R192

R193

R194

R195

R196

R197

R198

R199

R200

R201

R202

R203

R204

R205

R206

R207

R208

R209

R210

R211

R212

R213

R214

R215

R216

R217

R218

R219

R220

R221

R222

R223

R224

R225

R226

R227

R228

R229

R230

R231

R232

R233

R234

R235

R236

R237

R238

R239

R240

R241

R242

R243

R244

R245

R246

R247

R248

R249

R250

R251

R252

R253

R254

R255

R256

R257

R258

R259

R260

R261

R262

R263

R264

R265

R266

R267

R268

R269

R270

R271

R272

R273

R274

R275

R276

R277

R278

R279

R280

R281

R282

R283

R284

R285

R286

R287

R288

R289

R290

R291

R292

R293

R294

R295

R296

R297

R298

R299

R300

R301

R302

R303

R304

R305

R306

R307

R308

R309

R310

R311

R312

R313

R314

R315

R316

R317

R318

R319

R320

R321

R322

R323

R324

R325

R326

R327

R328

R329

R330

R331

R332

R333

R334

R335

R336

R337

R338

R339

R340

R341

R342

R343

R344

R345

R346

R347

R348

R349

R350

R351

R352

R353

R354

R355

R356

R357

R358

R359

R360

R361

R362

R363

R364

R365

R366

R367

R368

R369

R370

R371

R372

R373

R374

R375

R376

R377

R378

R379

R380

R381

R382

R383

R384

R385

R386

R387

R388

R389

R390

R391

R392

R393

R394

R395

R396

R397

R398

R399

R400

R401

R402

R403

R404

R405

R406

R407

R408

R409

R410

R411

R412

R413

R414

R415

R416

R417

R418

R419

R420

R421

R422

R423

R424

R425

R426

R427

R428

R429

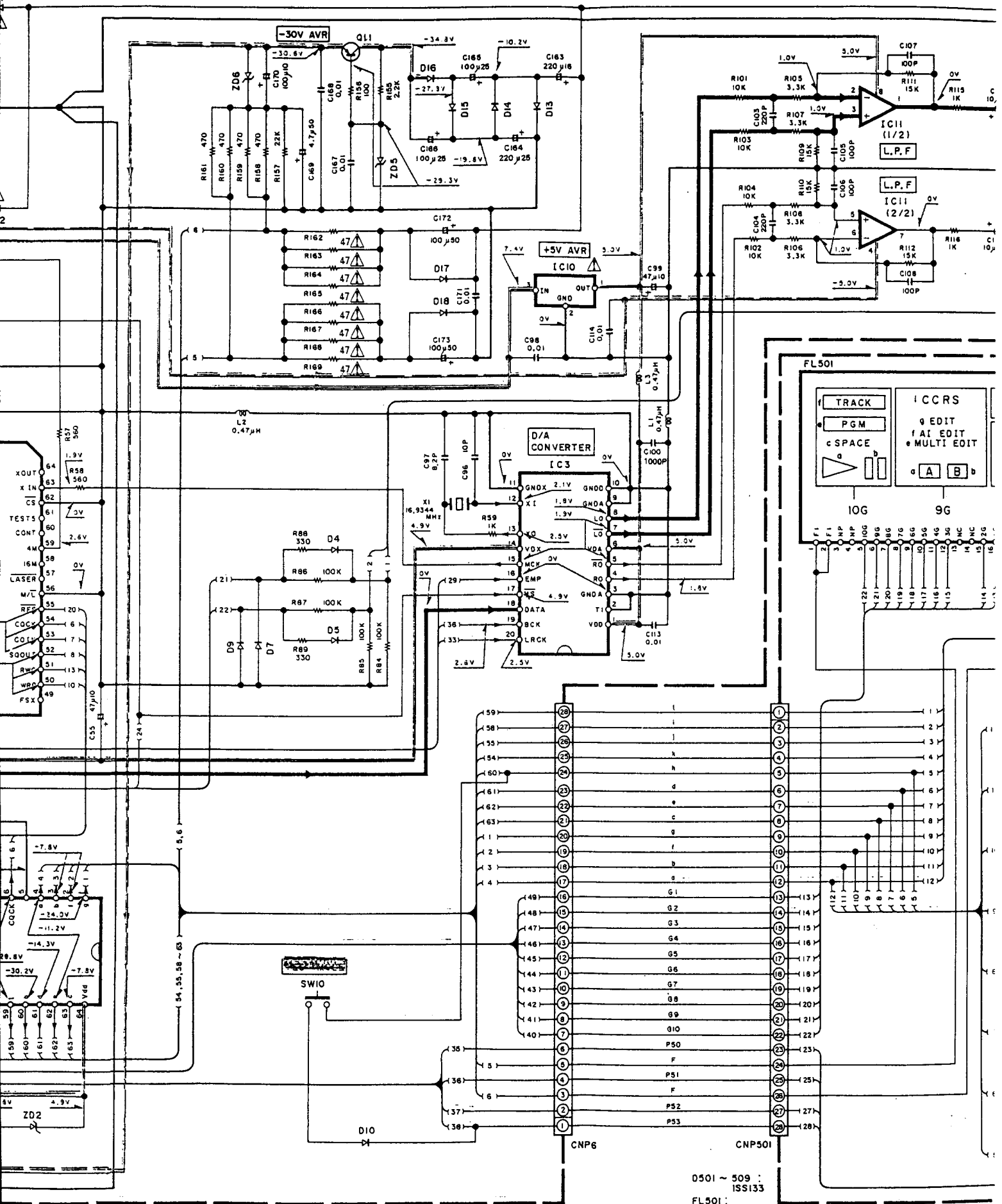
R430

R431

R432

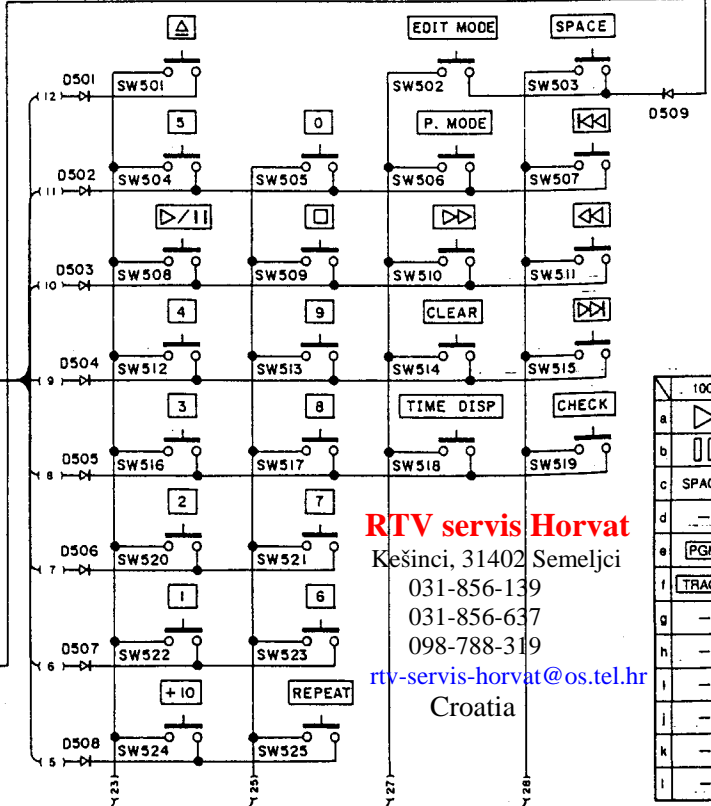
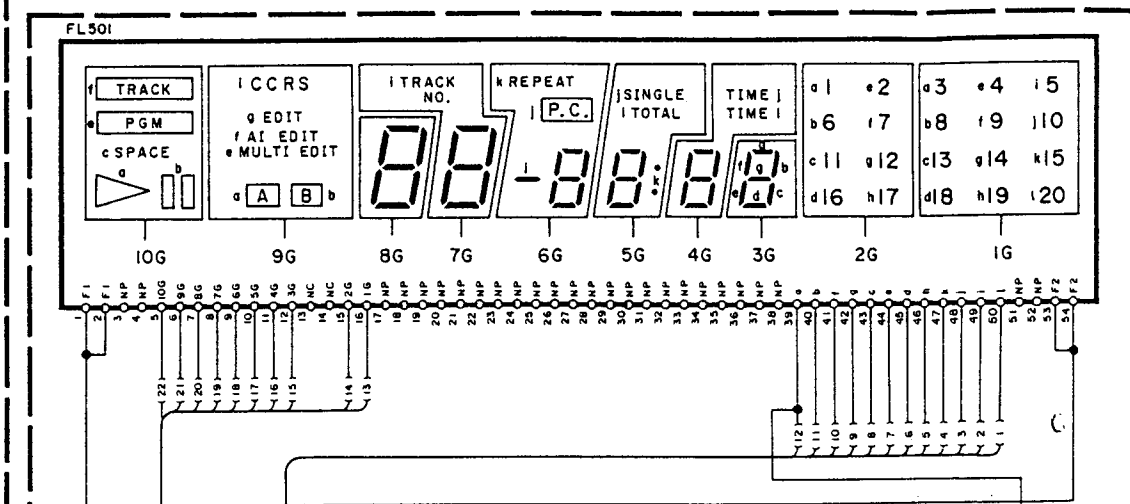
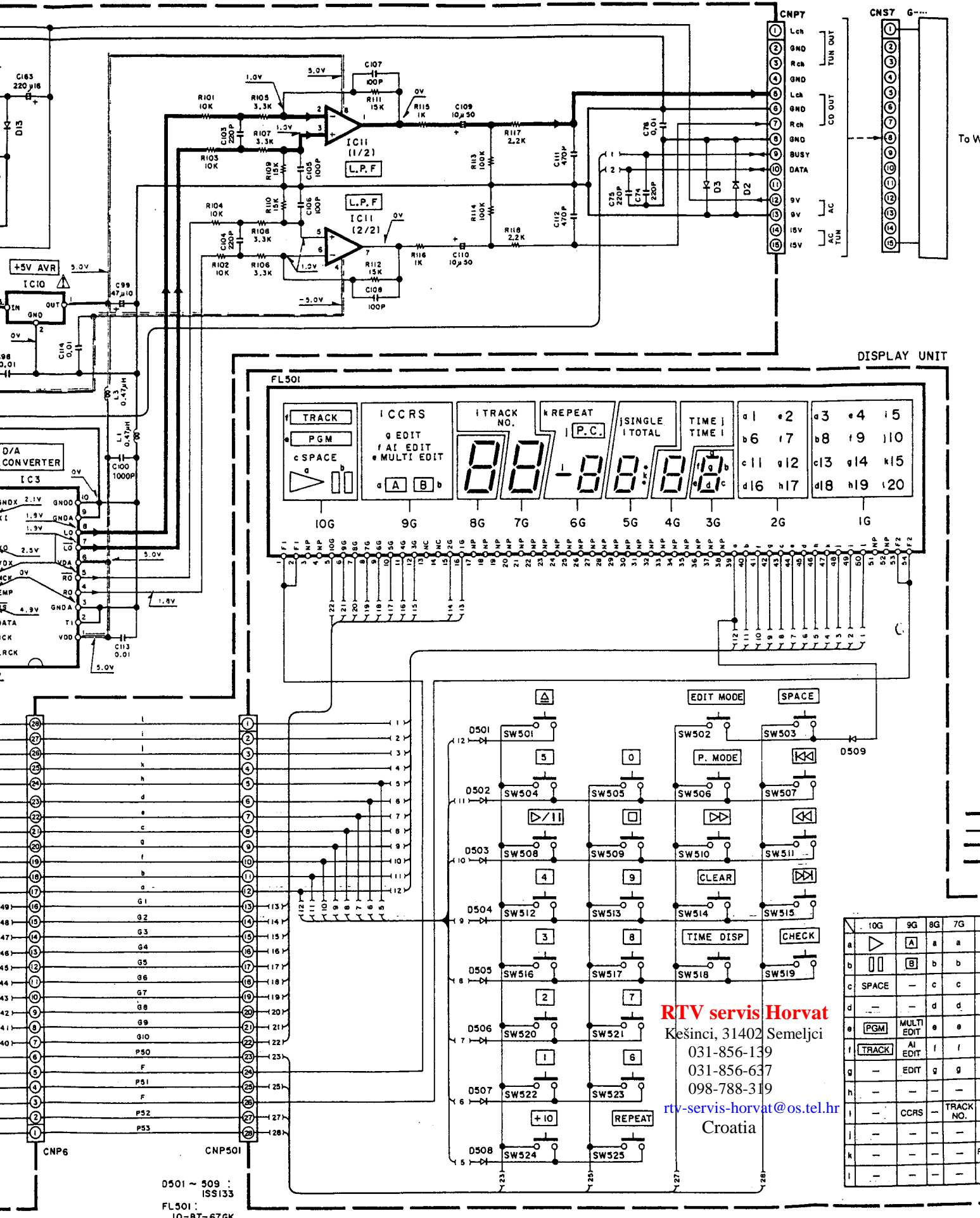
R433

R434



0501 ~ 509 :  
ISS133  
FL501 :  
10-8T-676K

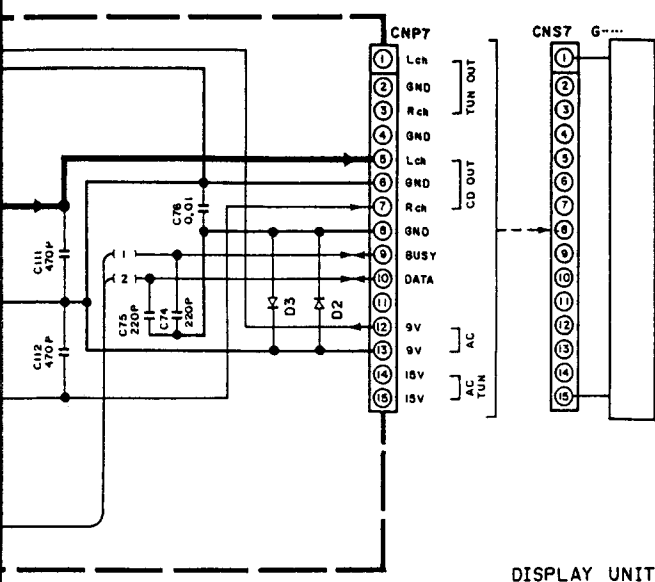




	10G	9G	8G	7G
a	▶	A	a	a
b	▯	B	b	b
c	SPACE	-	c	c
d	-	-	d	d
e	PGM	MULTI EDIT	e	e
f	TRACK	AI EDIT	f	f
g	-	EDIT	g	g
h	-	-	-	-
i	-	CCRS	-	TRACK NO.
j	-	-	-	-
k	-	-	-	-
l	-	-	-	-

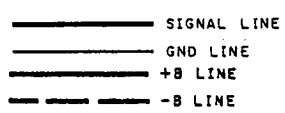
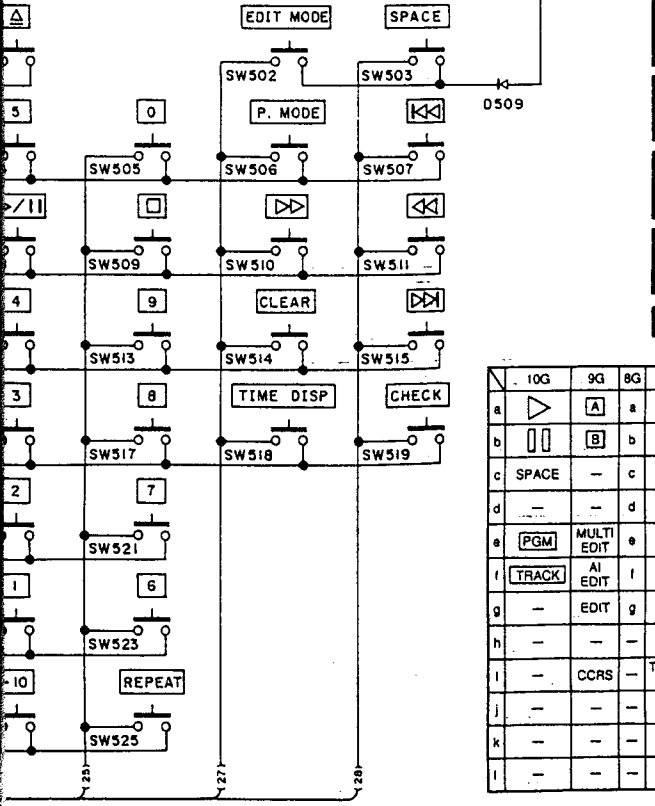
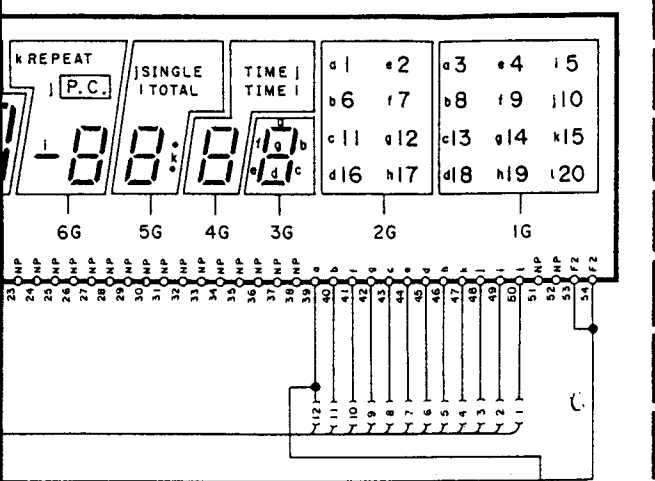
**RTV servis Horvat**  
 Kešinci, 31402 Semeljci  
 031-856-139  
 031-856-637  
 098-788-319  
[rtv-servis-horvat@os.tel.hr](mailto:rtv-servis-horvat@os.tel.hr)  
 Croatia

D501 ~ 509 :  
 ISS133  
 FL501 :  
 10-BT-67GK



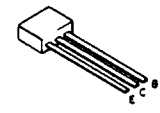
To WHITE CONNECTOR

DISPLAY UNIT

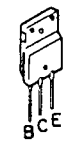


	10G	9G	8G	7G	8G	5G	4G	3G	2G	1G
a	▶	A	a	a	a	a	a	a	a	1 3
b	□	B	b	b	b	b	b	b	b	6 8
c	SPACE	-	c	c	c	c	c	c	c	11 13
d	-	-	d	d	d	d	d	d	d	16 18
e	PGM	MULTI EDIT	e	e	e	e	e	e	e	2 4
f	TRACK	AI EDIT	f	f	f	f	f	f	f	7 9
g	-	EDIT	g	g	g	g	g	g	g	12 14
h	-	-	-	-	-	-	-	-	-	17 19
i	-	CCRS	-	TRACK NO.	-	TOTAL TIME()	-	-	-	5
j	-	-	-	-	P.C.	SINGLE TIME()	-	-	-	10
k	-	-	-	-	REPEAT	•	-	-	-	15
l	-	-	-	-	-	-	-	-	-	20

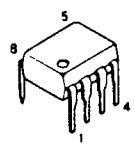
DTC114YS



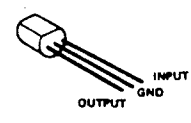
2SB1375  
2SD2012



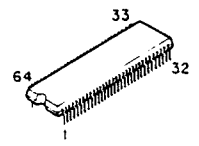
NJM4560D



TA78L005AF

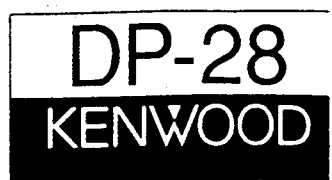


IX2248AF



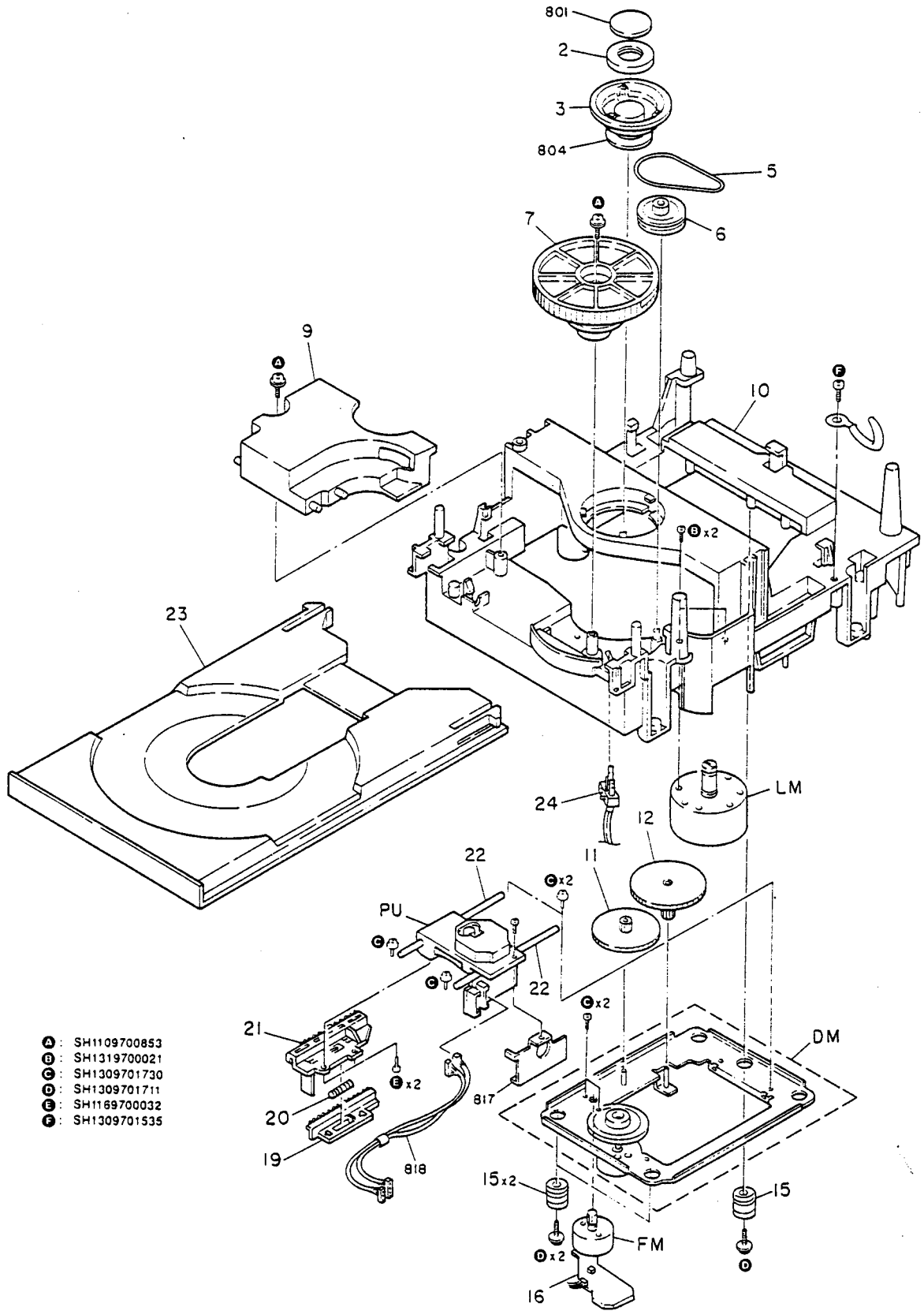
• DC voltages are as measured with a high impedance voltmeter. Values may vary slightly due to variations between individual instruments or/and units.

**CAUTION:** For continued safety, replace safety critical components only with manufacturer's recommended parts (refer to parts list). **A** Indicates safety critical components. To reduce the risk of electric shock, leakage-current or resistance measurements shall be carried out (exposed parts are acceptably insulated from the supply circuit) before the appliance is returned to the customer.

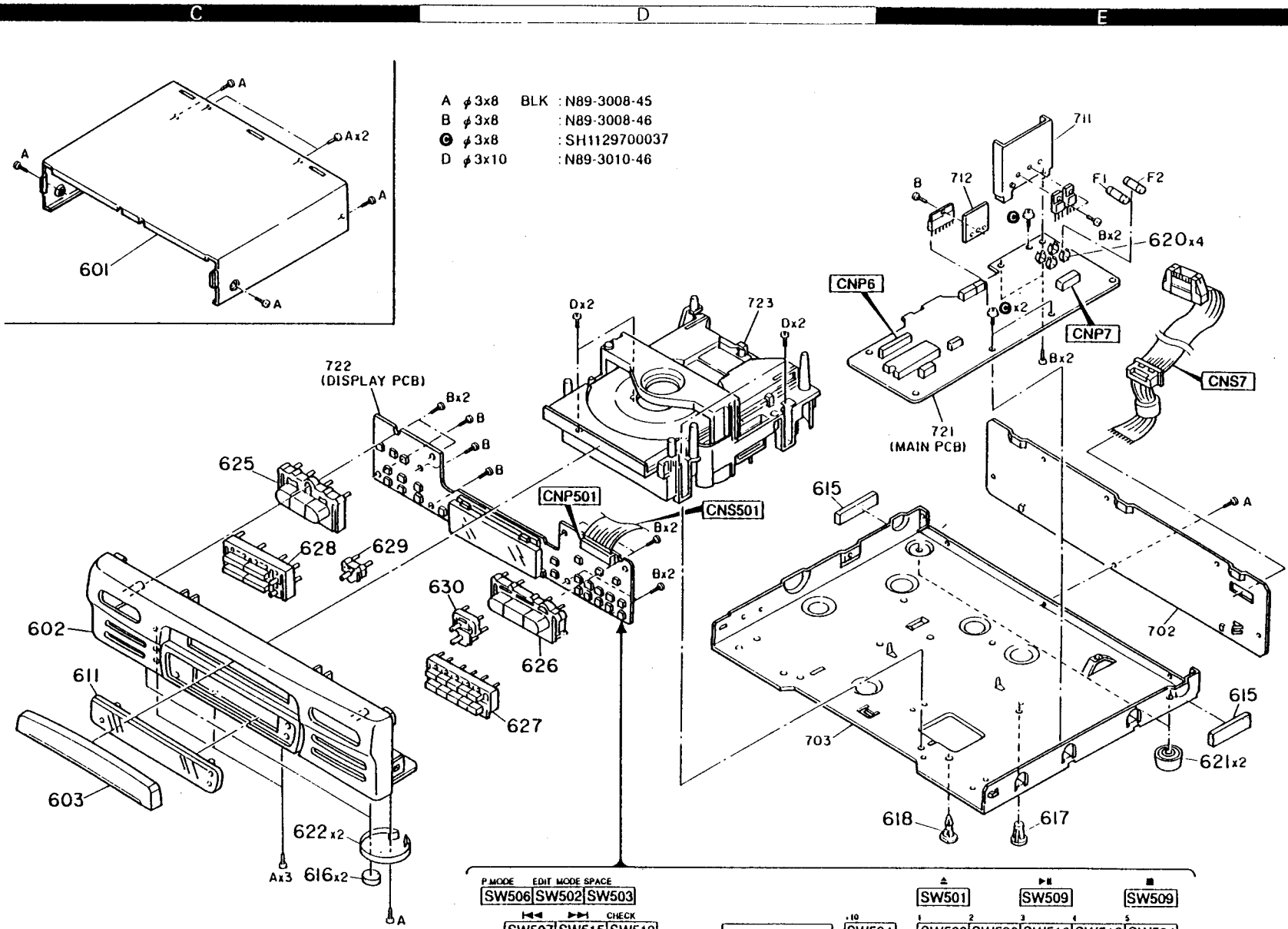


Y22-3642-70

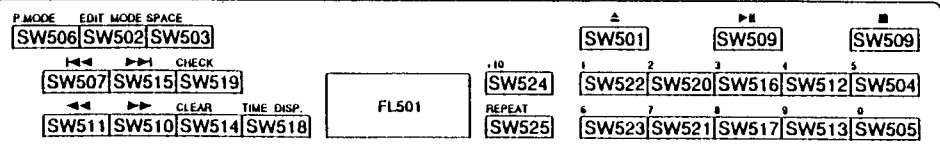
# EXPLODED VIEW (MECHANISM)



## EXPLODED VIEW (UNIT)



- A  $\phi$  3x8 BLK : N89-3008-45
- B  $\phi$  3x8 : N89-3008-46
- C  $\phi$  3x8 : SH1129700037
- D  $\phi$  3x10 : N89-3010-46



PARTS LIST

\* New Parts

Parts without Paris No. are not supplied.  
Les articles non mentionnés dans le Paris No. ne sont pas fournis.  
Teile ohne Paris No. werden nicht geliefert.

2

Ref. No. 参照番号	Address 位置	New Parts 新部品	Parts No. 部品番号	Description 部品名 / 規格	Desti- nation 向	Re- marks 備考
C23			SH142S900032	CERAMIC		
C24			SH130S900718	CYLND CHIP C 0.010UF		K
C25			CE04KW1A470M	ELECTRØ 47UF		K 10WV
C26			SH115900271	CERAMIC 2700PF		K
C27			SH130S900674	CERAMIC 1500PF		K
C28			CE04KV1H4R7M	ELECTRØ 4.7UF		50WV
C29			CC41DSL1H1R0C	CYLND CHIP C 1.0PF		C
C30			CC41DSL1H100J	CYLND CHIP C 10PF		J
C32			CE04KW1A470M	ELECTRØ 47UF		10WV
C33			SH130S900718	CYLND CHIP C 0.010UF		K
C34			CE04KV1H2R2H	ELECTRØ 2.2UF		50WV
C51			CK73FB1H102K	CHIP C 1000PF		K
C52			SH130S900664	CERAMIC 0.033UF		K
C53			CK73FB1H181K	CHIP C 180PF		K
C54			CK45FB1H151K	CERAMIC 150PF		K
C55			CE04KV1A470M	ELECTRØ 47UF		10WV
C61			SH130S900673	CYLND CHIP C 0.022UF		K
C62			CK73FB1H471K	CHIP C 470PF		K
C63	-66		SH130S900689	CERAMIC 0.022UF		25WV
C67	,68		CE04KW1A101H	ELECTRØ 100UF		10WV
C70	,71		CE04KV1A470M	ELECTRØ 47UF		10WV
C72	,75		SH130S900718	CYLND CHIP C 0.010UF		K
C74	,75		CK73FB1H221K	CHIP C 220PF		K
C76			CK45FF1H103Z	CERAMIC 0.010UF		Z
C96			CC41DSL1H100J	CYLND CHIP C 10PF		J
C97			CC41DSL1H8R2D	CYLND CHIP C 8.2PF		D
C98			CK45FF1H103Z	CERAMIC 0.010UF		Z
C99			CE04KW1A470M	ELECTRØ 47UF		10WV
C100			CK73FB1H102K	CERAMIC 1000PF		K
C103	,104		CK73FB1H221K	CHIP C 220PF		K
C105	-108		CK73FB1H101K	CHIP C 100PF		K
C109	,110		CE04KW1H100M	ELECTRØ 10UF		50WV
C111	,112		CK73FB1H471K	CHIP C 470PF		K
C113	,114		CK45FF1H103Z	CERAMIC 0.010UF		Z
C151			CE04KV1C682H	ELECTRØ 6800UF		16WV
C152			CE04KV1E222H	ELECTRØ 2200UF		25WV
C153	,154		SH130S900689	CERAMIC 0.022UF		25WV
C155	,156		CE04KW1A470M	ELECTRØ 47UF		10WV
C157	,158		CE04KW1H100M	ELECTRØ 10UF		50WV
C159	-161		CE04KW1A221H	ELECTRØ 220UF		10WV
C162			CE04KW1A470M	ELECTRØ 47UF		10WV
C163			CE04KW1C221H	ELECTRØ 220UF		16WV
C164			CE04KV1E221M	ELECTRØ 220UF		25WV
C165	,166		CE04KW1E101M	ELECTRØ 100UF		25WV
C167	,168		CK45FF1H103Z	CERAMIC 0.010UF		Z
C169			CE04KV1H4R7M	ELECTRØ 4.7UF		50WV
C170			CE04KW1A101M	ELECTRØ 100UF		10WV
C171			CK45FF1H103Z	CERAMIC 0.010UF		Z
C172	,173		CE04KW1H101M	ELECTRØ 100UF		50WV
CNP6			E40-4168-05	PLUG(28Pin)		
CNP7	1E		SH1105100540	CONNECTØR(15Pin)		
CNP8	1E		E30-2673-05	CONNECTØR ASSY(15Pin)		
CNP501	2D		E40-4208-05	PLUG(28Pin)		
CNS501	1D		E35-0791-08	FLAT CABLE CONNECTØR ASSY(28P)		

L:Scandinavia  
Y:PX(Far East, Hawaii)  
Y:AFES(Europe)

K:USA  
T:England  
X:Australia

P:Canada  
E:Europe  
M:10thmer Areas

△ indicates safety critical components

\* New Parts

Parts without Paris No. are not supplied.  
Les articles non mentionnés dans le Paris No. ne sont pas fournis.  
Teile ohne Paris No. werden nicht geliefert.

1

Ref. No. 参照番号	Address 位置	New Parts 新部品	Parts No. 部品番号	Description 部品名 / 規格	Desti- nation 向	Re- marks 備考
<b>DP-28</b>						
601	1C		A01-3118-08	CABINET TOP		
602	2C	*	A60-0579-08	FRONT PANEL		
603	2C	*	A29-0368-08	CD TRAY COVER		
611	2C	*	B10-2021-08	PANEL WINDOW		
-	-	*	B60-1539-08	INSTRUCTION MANUAL(E,F,G,D,I,S)	E	
-	-	*	B60-1540-08	INSTRUCTION MANUAL(ENGLISH)	XT	
-	-	*	B60-1541-08	INSTRUCTION MANUAL(E,S,C)	KI	
615	1D, 2E		G10-0199-08	CHASSIS CUSHION		
616	2C		SH1103260268	LEG CUSHION		
-	-		H10-5730-08	POLYSTYRENE FOAMED FIXTURE(L)		
-	-		H10-5731-08	POLYSTYRENE FOAMED FIXTURE(R)		
-	-	*	H50-1080-08	ITEM CARTON CASE	TEMX	
-	-	*	H50-1081-08	ITEM CARTON CASE	I	
-	-		SH1109020633	PAD		
-	-		SH1109060121	PROTECTION BAG(UNIT)		
617	2E		SH1104130267	SPACER, PWB		
618	2E		SH1102140449	TUNER PWB HOLDER		
620	1E		SH1305160014	FUSE HOLDER		
621	2E		SH1101230060	REAR FOOT		
622	2C		SH1101560798	FOOT RING		
625	1C	*	K29-5923-08	KNØB(MØDE)		
626	2D	*	K29-5924-08	KNØB(PLAY/EJECT)		
627	2D	*	K29-5925-08	KNØB(10KEY)		
628	2C	*	K29-5926-08	KNØB(SKIP)		
629	1C	*	K29-5927-08	KNØB(01SPRAY)		
630	2D	*	K29-5928-08	KNØB(REPEAT)		
A			N89-3008-45	SCREW		
B			N89-3008-46	SCREW		
C			SH1129700037	SCREW		
D			N89-3010-46	SCREW		
<b>ELECTRIC PARTS</b>						
C2			CE04KW1A470M	ELECTRØ 47UF		10WV
C3			SH130S900678	CYLND CHIP C 4700PF		K
C4			CC41DSL1H330J	CYLND CHIP C 33PF		J
C5			CE04KW1A101M	ELECTRØ 100UF		10WV
C6			SH130S900683	CERAMIC 0.015UF		K
C7			SH1105950092	CYLND CHIP C 8200PF		K
C8			CC41DSL1H350J	CYLND CHIP C 33PF		J
C9			CE04KW1HR22M	ELECTRØ 0.22UF		50WV
C10			CE04KW1A470M	ELECTRØ 47UF		10WV
C11			CE04KV1H010M	ELECTRØ 1.0UF		50WV
C12			CE04KW1H0R1M	ELECTRØ 0.1UF		50WV
C13			SH130S900642	CERAMIC 0.039UF		K
C14			CE04KW1H100M	ELECTRØ 10UF		50WV
C15			CE04KW1H0R1M	ELECTRØ 0.1UF		50WV
C16			CK73FB1H221K	CHIP C 220PF		K
C17			CE04KW1HR47M	ELECTRØ 0.47UF		50WV
C18			CK73FB1H102K	CHIP C 1000PF		K
C19			SH130S900673	CYLND CHIP C 0.022UF		M
C20			SH130S900664	CERAMIC 0.033UF		K
C22			CK73FB1H221K	CHIP C 220PF		K

L:Scandinavia  
Y:PX(Far East, Hawaii)  
Y:AFES(Europe)

K:USA  
T:England  
X:Australia

P:Canada  
E:Europe  
M:10thmer Areas

△ indicates safety critical components

## PARTS LIST

4  
 x New Parts  
 Parts without Parts No. are not supplied.  
 Les articles non mentionnés dans le Parts No. ne sont pas fournis.  
 Teile ohne Parts No. werden nicht geliefert.

Ref. No. 参照番号	Address 位置	Parts No. 部品番号	Description 部品名 / 規格	Re- nation marks 向標考
21	3A	SH1302810231	GEAR(RACK FIX)	
22	3B	SH1302900394	SHAFT(GUIDE)	
23	2A	SH1102140395	DISC TRAY	
24	2B	S74-0027-08	SWITCH(OPEN/CLOSE)	
A		SH1109700853	SCREW	
B		SH1319700021	SCREW	
C		SH1309701730	SCREW	
D		SH1309701711	SCREW	
E		SH1169700032	SCREW	
F		SH1309701535	SCREW	
DM	3B	T42-0658-08	DISC MOTOR ASSY	
EM	3B	T42-0657-08	FEED MOTOR WITH GEAR	
FM	2B	SH1106300200	LOADING MOTOR WITH PULLEY	
LM	2B			
PU	3A	T25-0032-08	CD PICKUP ASSY	

L:Scandinavia  
 Y:PX(Far East, Hawaii)  
 Y:AFES(Europe)

K:USA  
 T:England  
 X:Australia

P:Canada  
 E:Europe  
 M:1,Other Areas

△ indicates safety critical components

3  
 x New Parts  
 Parts without Parts No. are not supplied.  
 Les articles non mentionnés dans le Parts No. ne sont pas fournis.  
 Teile ohne Parts No. werden nicht geliefert.

Ref. No. 参照番号	Address 位置	Parts No. 部品番号	Description 部品名 / 規格	Desj- nation marks 向標考
F1, 2		F05-6313-05	FUSE(250V T630mA)	
X1		L77-2132-08	CRYSTAL RESONATOR(16.9344MHz)	
XL1		L78-0267-05	RESONATOR(4.19MHz)	
VR1		R12-2048-08	TRIMMING POT(6.8K) <T. BALANCE>	
VR2		R12-1619-05	TRIMMING POT(4.7K) <T. GAIN>	
VR3		R12-3485-05	TRIMMING POT(10K) <F. GAIN>	
VR4		R12-5651-05	TRIMMING POT(100K) <VCO>	
SV10		SH1305301218	SWITCH(TEST MODE)	
SV501-525	2D, 2E	SH1305301218	SWITCH(EJECT etc.)	
D1 -5		1SS133	DIODE	
D7		1SS133	DIODE	
D9, 10		1SS133	DIODE	
D11, 12		RL104T	DIODE	
D13 -18		1SS133	DIODE	
D501-509		1SS133	DIODE	
Z02 -4		MTZ19, 1A	ZENER DIODE	
Z05		MTZ130BT	ZENER DIODE	
Z06		MTZ16, 8B	ZENER DIODE	
FL501	2D	10-BT-67GK	INDICATOR TUBE	
IC1		LA9211H	IC(CRF AMP/SERVØ)	
IC2		LC78681E	IC(D.S.P)	
IC3		TC9268P	IC(D/A CONVERTØR)	
IC4		IX2248AF	IC(MICROPROCESSØR)	
IC5		PST600D	IC(RESET)	
IC6		LA6524	IC(DRIVER)	
IC7		TA7291S	IC(BRIDGE DRIVER)	
IC8		TA78L005AP	IC(VOLTAGE REGULATOR/ +5V)	
IC9		AN79L05T	IC(VOLTAGE REGULATOR/ -5V)	
IC10		AN78L05T	IC(VOLTAGE REGULATOR/ +5V)	
IC11		NJM4560D	IC(OP AMP X2)	
IC12		NJM4558M	IC(OP AMP X2) CIRCUIT	
Q1 -4		DTC114YS	DIGITAL TRANSISTØR	
Q5		2SA1015CR	TRANSISTØR	
Q7		2SC1740SK	TRANSISTØR	
Q8		2SA933SR	TRANSISTØR	
Q9		2SD2012	TRANSISTØR	
Q10		2SB1375	TRANSISTØR	
Q11		2SB1237R3	TRANSISTØR	
<b>MECHANISM</b>				
2	1B	SH1313730001	MAGNET	
3	1B	T50-1067-08	BRACKET MAGNET	
5	1B	D16-0362-08	BELT DRIVE	
6	1B	D15-0364-08	PULLEY DRIVE	
7	1B	SH1102810098	GEAR PINØN	
9	1A	SH1102480607	SHIFT LEVER	
10	1B	A11-1021-08	CHASSIS LOADING	
11	2B	SH1302810228	GEAR(HØDLE)	
12	2B	SH1302810229	GEAR(DRIVE)	
15	3B	SH1303280448	CUSHØN	
16	2B	SH1305301248	PUSH SWITCH(SLT)	
19	3A	SH1302810232	GEAR(RACK MOVE)	
20	3A	SH1252580244	SPRING(RACK)	

L:Scandinavia  
 Y:PX(Far East, Hawaii)  
 Y:AFES(Europe)

K:USA  
 T:England  
 X:Australia

P:Canada  
 E:Europe  
 M:1,Other Areas

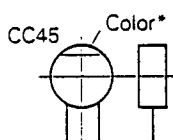
△ indicates safety critical components

## PARTS LIST

### CAPACITORS

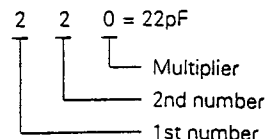
CC 45 TH 1H 220 J  
 1 2 3 4 5 6

- 1 = Type ... ceramic, electrolytic, etc.
- 2 = Shape ... round, square, ect.
- 3 = Temp. coefficient
- 4 = Voltage rating
- 5 = Value
- 6 = Tolerance



#### Capacitor value

- 010 = 1pF
- 100 = 10pF
- 101 = 100pF
- 102 = 1000pF = 0.001μF
- 103 = 0.01μF



#### Temperature coefficient

1st Word	C	L	P	R	S	T	U
Color*	Black	Red	Orange	Yellow	Green	Blue	Violet
ppm/°C	0	-80	-150	-220	-330	-470	-750

2nd Word	G	H	J	K	L
ppm/°C	±30	±60	±120	±250	±500

Example: CC45TH = -470 ± 60ppm/°C

#### Tolerance (More than 10pF)

Code	C	D	G	J	K	M	X	Z	P	No code
(%)	±0.25	±0.5	±2	±5	±10	±20	+40 -20	+80 -20	+100 -0	More than 10μF -10 - +50 Less than 4.7μF -10 - +75

#### (Less than 10pF)

Code	B	C	D	F	G
(pF)	±0.1	±0.25	±0.5	±1	±2

#### Voltage rating

2nd word	A	B	C	D	E	F	G	H	J	K	V
1st word											
0	1.0	1.25	1.6	2.0	2.5	3.15	4.0	5.0	6.3	8.0	-
1	10	12.5	16	20	25	31.5	40	50	63	80	35
2	100	125	160	200	250	315	400	500	630	800	-
3	1000	1250	1600	2000	2500	3150	4000	5000	6300	8000	-

#### Chip capacitors

(EX) C C 7 3 F S L 1 H 0 0 0 J  
 1 2 3 4 5 6 7

(Chip) (CH, RH, UJ, SL)

(EX) C K 7 3 F F 1 H 0 0 0 Z  
 1 2 3 4 5 6 7

(Chip) (B, F)

Refer to the table above.

- 1 = Type
- 2 = Shape
- 3 = Dimension
- 4 = Temp. coefficient
- 5 = Voltage rating
- 6 = Value
- 7 = Tolerance

#### Dimension (Chip capacitors)

Dimension code	L	W	T
Empty	5.6 ± 0.5	5.0 ± 0.5	Less than 2.0
A	4.5 ± 0.5	3.2 ± 0.4	Less than 2.0
B	4.5 ± 0.5	2.0 ± 0.3	Less than 2.0
C	4.5 ± 0.5	1.25 ± 0.2	Less than 1.25
D	3.2 ± 0.4	2.5 ± 0.3	Less than 1.5
E	3.2 ± 0.2	1.6 ± 0.2	Less than 1.25
F	2.0 ± 0.3	1.25 ± 0.2	Less than 1.25
G	1.6 ± 0.2	0.8 ± 0.2	Less than 1.0

### RESISTORS

#### Chip resistor (Carbon)

(EX) R K 7 3 E B 2 B 0 0 0 J  
 1 2 3 4 5 6 7

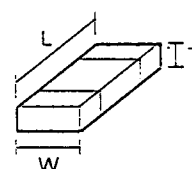
(Chip) (B, F)

#### Carbon resistor (Normal type)

(EX) R D 1 4 B B 2 C 0 0 0 J  
 1 2 3 4 5 6 7

- 1 = Type
- 2 = Shape
- 3 = Dimension
- 4 = Temp. coefficient
- 5 = Rating wattage
- 6 = Value
- 7 = Tolerance

#### Dimension



#### Dimension (Chip resistor)

Dimension code	L	W	T
E	3.2 ± 0.2	1.6 ± 0.2	1.0
F	2.0 ± 0.3	1.25 ± 0.2	1.0
G	1.6 ± 0.2	0.8 ± 0.2	0.5 ± 0.1

#### Rating wattage

Code	Wattage	Code	Wattage	Code	Wattage
1J	1/16W	2C	1/6W	3A	1W
2A	1/10W	2E	1/4W	3D	2W
2B	1/8W	2H	1/2W		

